

---

# Operation Manual

# Vista Single



**KINO FLO**<sup>®</sup>  
Lighting Systems

## Vista Single System



**CFX-V100**  
Vista Single Fixture



**BAL-125-120**  
Vista Single Ballast, 120VAC

**BAL-125-230**  
Vista Single Ballast, 230VAC



**X07-G125**  
Vista Single Head Extension, 25ft



**MTP-BL41S**  
Kino 41 Mount w/ Baby Receiver Short  
(16mm)

## True Match® Lamps



**964-K29**....96W Kino KF29 (Twin)

**964-K32**....96W Kino KF32 (Twin)

**964-K55**....96W Kino KF55 (Twin)

**964-K10**....96W Kino 420nm Blue (Twin)

**964-K5X**....96W Kino 550nm Green (Twin)

## Vista Single Kits (2-Unit)



### **KIT-V102-120**

Vista Single Kit, 120VAC (2-Unit)

### **KIT-V102-230**

Vista Single Kit, 230VAC (2-Unit)

#### **Contents:**

- 2 Vista Single Fixture
- 2 Vista Single Ballast
- 2 Mount
- 2 Extension, 25ft
- 2 Vista Single Louver 90°
- 2 Vista Single Louver 60°
- 1 Louver Case
- 1 Lamp Case
- 1 Ship Case

#### **Dimensions:**

43 x 13 x 16"  
(109.2 x 33 x 41cm)

#### **Weight:**

48 lb  
(21.8kg)

# Vista Single Kits (1-Unit)



## **KIT-V101-120**

Vista Single Kit, 120VAC (1-Unit)

## **KIT-V101-230**

Vista Single Kit, 230VAC (1-Unit)

### **Contents:**

- 1 Vista Single Fixture
- 1 Vista Single Ballast
- 1 Mount
- 1 Extension, 25ft
- 1 Vista Single Louver 90°
- 1 Lamp Case
- 1 Soft Case

### **Dimensions:**

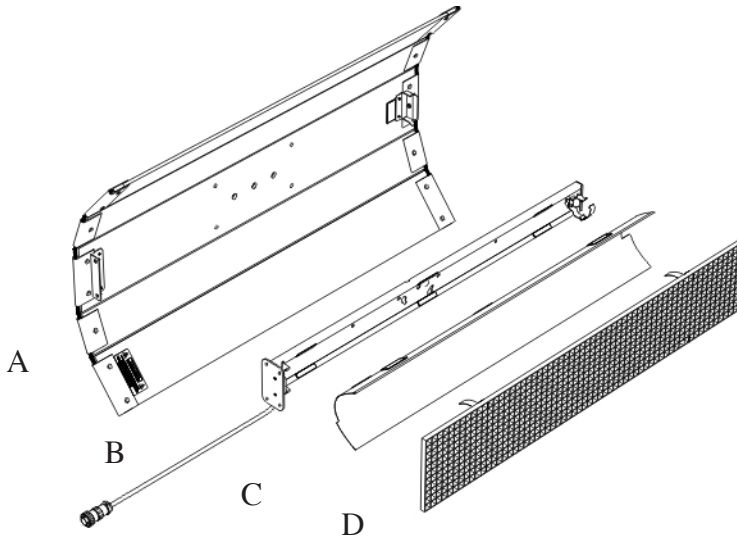
41 x 10 x 14"  
(104 x 25.4 x 36cm)

### **Weight:**

22 lb  
(10kg)

# Fixture Assembly

The Vista Single Fixture is comprised of a removable Fixture Shell, Lamp Harness, Reflector and Louver. The Louver and Reflector are held in place with Velcro fasteners. The Harness is secured by a locking pin mechanism on the Fixture Shell.



- A) Fixture Shell
- B) Lamp Harness
- C) Reflector
- D) Louver, Black Honeycomb 90°

# Operates 3 Methods



1) Complete Vista Single Fixture w/ Louver

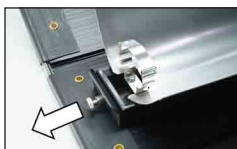


2) Vista Single Harness w/ Reflector  
(Plastic shell removed)



3) Vista Single Harness only

## Fixture - Assembly/Disassembly



To remove harness from plastic fixture, pull the retractable locking pin on the fixture.



Slide the harness base away from harness alignment pins.

**Note:** When placing harness in fixture, align the harness base first before centering locking pin.



The reflector is held in place with velcro fasteners. To remove the reflector, lift up from the lamp base side.



To re-attach the reflector to the lamp harness, first insert the narrow indent of the reflector under the lamp clip. The copper grounding spring leaf should make good contact with the reflector. Then affix to lamp base side.

## Inserting Lamp



Insert lamp at a 45° angle and align pins with lamp holder.



Gently lay lamp down into fixture. If you feel resistance, the lamp is not properly aligned. Start again.



Press lamp securely into lamp clip and snap the locking clip in place.

If the latch appears loose simply bend it to take up the slack.

## Gelling the Fixture



Restricting the airflow around the lamp can cause the lamp to operate hotter.

This increased heat will raise the lamp's color temperature and green spike. Therefore, it is recommended to clip the gels to the doors of the fixture.

**Do Not** clip gels to the louver.

**Do Not** block the fixture ends in a manner that restricts airflow.

## Mounting to Fixture



Align center pin with mating plate on fixture.



Rotate in a clockwise direction to secure mounting plate. Locking pin will snap into place. The yellow safety wire loop provides an attachment for a safety chain.



Unlock the mounting plate by pulling up on the locking pin and rotate mount in a counter clockwise direction.



A 180° turn loosens the orientation of the mount. A right turn tightens the mount.



The tension on the lock lever may be adjusted by pulling the handle away from the mount. This disengages the handle from the screw mechanism and allows the lever to be reoriented.

## Mounting To Lamp Harness



It is possible to mount "Harness Only" with the plastic shell removed. Align the center pin of the mount to the receptacle hole in the lamp holder harness.



Rotate the mount clockwise until the locking pin clicks into place.

To release, pull the pin up and rotate counter clockwise.



# Rigging and Mounting Options



The **MTP-BL41S** mounting plate fits onto the end of a grip arm.



The **MTP-BL41S** on a regular baby stand allows a broad range of orientation.



Two rigging holes located along the central axis of the lamp holder can be used to screw the fixture to a surface.



The lamp holder base can be screwed onto a surface.

# Ballast Operation



The Vista Single Ballast features a **H0/STD** switch. This is used to adjust light level without affecting color temperature. In **STD** mode the light drops ½ f-stop.

When operating the Vista Single in high ambient temperature or where the units are rigged into place with restricted airflow, the **STD** setting can be used to lower the color temperature and remove any green spike.



To insert the cable (**X07-G125**), align the key-ways on the fixture plug with the circular receptacle on the ballast. Rotate the locking ring until it clicks into the lock position.

Fixtures can be operated with the attached 18" tail and the 25ft extension cable.

## WARNING!

- 1) ALWAYS TURN OFF THE BALLAST BEFORE connecting or disconnecting Lamps, Harnesses or Extension Cables.
- 2) Use only with Sine wave inverters. Do not operate on SCR dimmers.
- 3) If powering the ballasts through a Dimmer Pack set the Dimmer to Non-Dim Mode.

The 120VAC Ballast requires 110 to 130 Volts AC 50/60 Hertz on an earth grounded circuit; the 230VAC Ballast requires 220 to 240 Volts AC on an earth grounded circuit. The electronic Ballast operates at a high frequency of 25kHz. It is dead-quiet, instant-on and lightweight.

## Load Considerations:

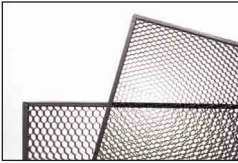
Kino Flo ballasts are not power factor corrected. They will draw double the current on the neutral from what is being drawn on the two hot legs. On large installations it may be necessary to double your neutral run so as not to exceed your cable capacity.

### **Cold Temperature Operation**

The Vista Single Ballast series is designed to operate at temperatures from 14F to 122F (-10C to +50C). In cold temperatures, the Ballast may not strike the lamp instantly. Switch the Ballast to OFF, wait seven seconds and try again. If the Ballast does not strike after two or three attempts, turn off the Ballast, check that the Extension and Harness connections are secure and re-strike. Once operating for a few minutes, the Lamp should re-strike instantly.

It is normal for the lamp to require a few minutes to achieve full light output even at room temperature.

## **Accessories and Parts**



### **LVR-V190**

Vista Single Louver, 90°

### **LVR-V160**

Vista Single Louver, 60°



### **MTP-L**

Kino 41 Lollipop w/ 3/8" Pin

### **MTP-LB**

Kino 41 Lollipop w/ Baby Receiver

### **MTP-LBS**

Kino 41 Lollipop w/ Baby Receiver Short



### **X07-G125**

Vista Single Head Extension, 25ft

# True Match® Lamps



**964-K29**....96W Kino KF29 (Twin)

**964-K32**....96W Kino KF32 (Twin)

**964-K55**....96W Kino KF55 (Twin)

**964-K10**....96W Kino 420nm Blue (Twin)

**964-K5X**....96W Kino 550nm Green (Twin)

## Cases



**KAS-V102**



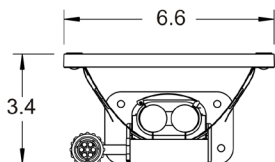
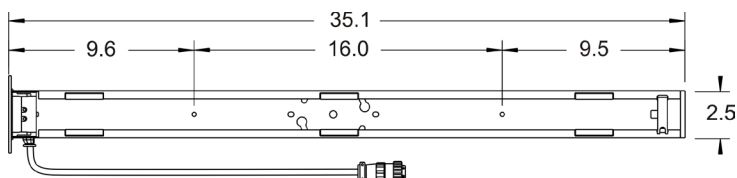
**BAG-V101**



**KAS-VL4**

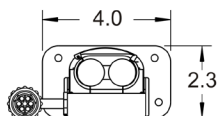
Part Number	Description	Dimensions	Weight (Empty)	Holds
<b>BAG-V101</b>	Vista Single Soft Case	41 x 10 x 14" (104 x 25.4 x 35.6cm)	8 lb (3.6kg)	Vista Single Kit Items
<b>KAS-V102</b>	Vista Single Ship Case (2-Unit)	43 x 13 x 16" (109 x 33 x 41cm)	19.5 lb (8.8kg)	Vista Single Kit Items (2)
<b>KAS-VH2</b>	Vista Single 2-Louver Carry Case	37 x 2 x 7" (94 x 5 x 17.8cm)	1 lb (0.5kg)	Vista Single Honeycomb Louver (2)
<b>KAS-VH4</b>	Vista Single 4-Louver Carry Case	37 x 3 x 7" (94 x 7.6 x 17.8cm)	1 lb (0.5kg)	Vista Single Honeycomb Louver (4)
<b>KAS-VL4</b>	Vista Single 4-Lamp Carry Case (Twin)	37.5 x 3 x 6.5" (95 x 7.6 x 16.5cm)	1 lb (0.5kg)	Vista Single Lamps (4)

# Lamp Harness Specifications



**Lamp harness with reflector and louver:**  
 35.1 x 6.6 x 3.4"  
 (89.2 x 16.8 x 8.6cm)

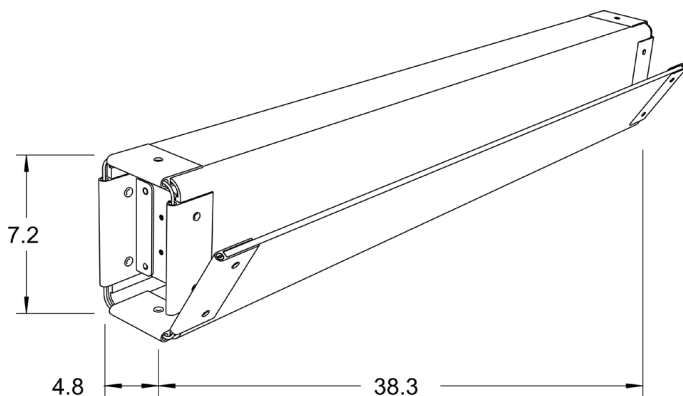
Weight w/ Lamp: 3.0lb  
 (1.4kg)



**Lamp harness only:**  
 35.1 x 4 x 2.3"  
 (89.2 x 10.2 x 6.3cm)

Weight w/ Lamp: 1.9lb  
 (0.9kg)

# Fixture Specifications



**Fixture:** 38.3 x 7.2 x 4.8"  
 (97.3 x 18.3 x 12.2cm)

**Weight w/ Lamp:** 6.2lb  
 (2.8kg)

# Ballast Specifications



**Vista Single**

## **BAL-125-120**

Vista Single Ballast, 120VAC

Input Voltage: 120VAC 50/60Hz  
Output Frequency: 25kHz  
Amperage: 1.7  
Lamp Switching: 1 - Off  
Output Switching: HO/STD  
Ballast Size: 10.5 x 4 x 2.5"  
(26.7 x 10.2 x 6.4cm)  
Weight: 2.8lb  
(1.3kg)

## **BAL-125-230**

Vista Single Ballast, 230VAC

Input Voltage: 230VAC 50/60Hz  
Output Frequency: 25kHz  
Amperage: 1.1  
Lamp Switching: 1 - Off  
Output Switching: HO/STD  
Ballast Size: 10.5 x 4 x 2.5"  
(26.7 x 10.2 x 6.4cm)  
Weight: 2.8lb  
(1.3kg)



For latest Warranty information and Certifications,  
see Kino Flo website at [www.kinoflo.com](http://www.kinoflo.com).

**Environmental: Disposal of Old Electrical & Electronic Equipment.**



This symbol on the product or on its packaging indicates that this product shall not be treated as household waste. This product is made of recyclable materials and should be disposed of in accordance with local and state regulations.

---

Kino Flo, Inc. 2840 N. Hollywood Way, Burbank, CA 91505, USA  
Tel: 818 767-6528 website: [www.kinoflo.com](http://www.kinoflo.com)