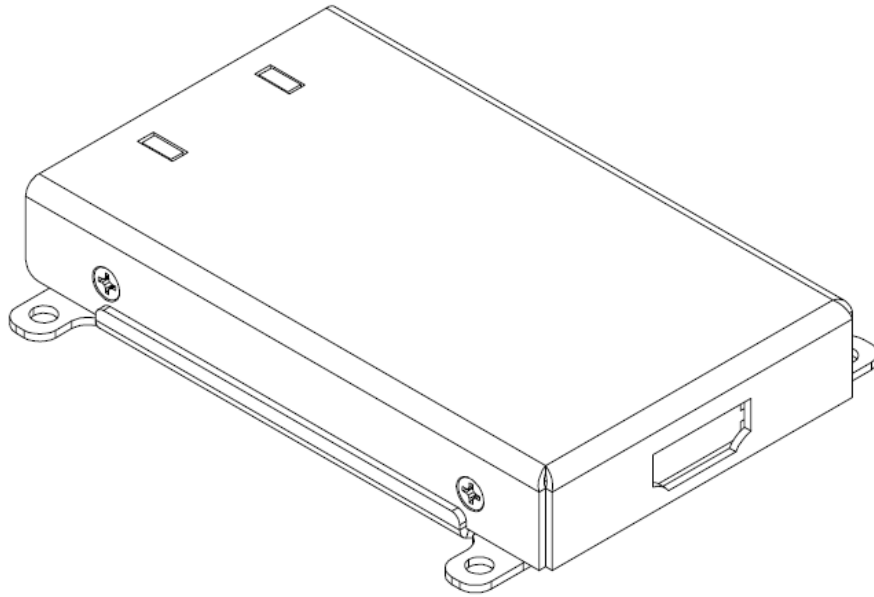


Marshall Electronics

VAC-11HU3

Compact HDMI to USB 3.0 Converter



Operating Instructions

Operations Manual

The Marshall VAC-11HU3 is a convenient tool that provides a high-quality connection between HDMI video devices and a computer via a high speed USB 3.0 connection. Installation and operation of the converter is incredibly simple. The VAC-11HU3 is compliant with HDMI 1.3 and 1.4 standards which includes HDCP. Copy protected sources will not be converted. This adapter does not “break” copy protection. Sources such as live video cameras are ideal to use with this converter.

Power for the converter is obtained directly from the USB 3.0 port on the host computer. There is no driver disk packed with this adapter as it works with drivers already installed in the host operating system.

System Requirements

The VAC-11HU3 is designed to work with nearly any modern computer that has a USB 3.0 port and at least a dual core processor. Higher frame rates and larger formats will require faster computer processing. Works with Windows 7 & 8, OSx 8.1 and above as well as most implementations of Linux.

Installation

Confirm that the computer system has a USB 3.0 connection. If the converter is plugged into a USB 2.0 port, no harm will come, however the picture will likely freeze or stutter. With the computer on, plug the VAC-11HU3 into the USB 3.0 connection. Wait about a minute to ensure that the computer has discovered the device and has loaded the correct driver. In nearly all cases, the video input will be available once this has completed.

Operation

From this point, operation is controlled by the application. For example, in Skype(r), click on Tools, Options, and Video Settings and select XI1000USB. The audio source may be selected separately or use the embedded audio coming from the HDMI connected source.

To confirm that the converter has installed correctly on the computer, ensure that the following appears in your device manager:

WINDOWS

Open the Device Manger window. This can be accessed through the Control Panel page.

In Windows 7, click Start, Control Panel, System, Device Manager

Device Manager > Sound, video and game controllers> XI1000DUSB-HDMI Audio

In Windows 8, click PC Settings (Gear Icon), Control Panel, Device Manager

Device Manager > Sound, video and game controllers> XI100DUSB-HDMI Audio

Mac OS

Go to Utilities, System Profiler and find XI1000DUSB under Audio and Camera.
System Profiler > Audio > Devices > XI100DUSB-HDMI Audio
System Profiler > Camera > XI00DUSB-HDMI

Linux

There is no equivalent to Device Manager or System Profiler in Linux, however there are a variety 3rd party applications that can display the image.

Compatible Formats

480p, 576p
720p 25, 29.97, 30, 59.94, 60
1080i 50, 59.94, 60
1080p 25, 29.97, 30, 50, 59.94, 60
WUXGA 1920 x 1200 60

Supports embedded digital audio (2 channels @ 48KHz sample rate)

Device Specifications

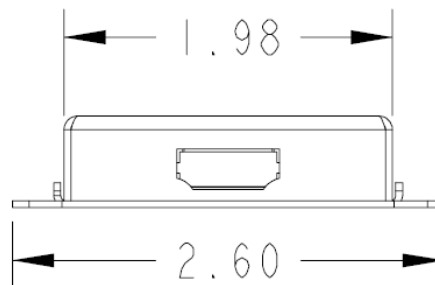
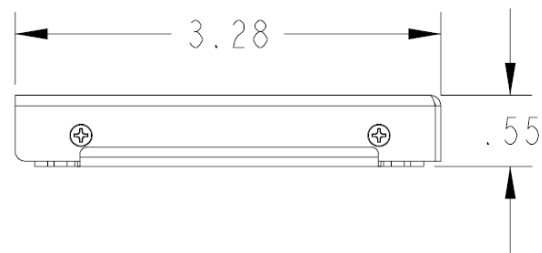
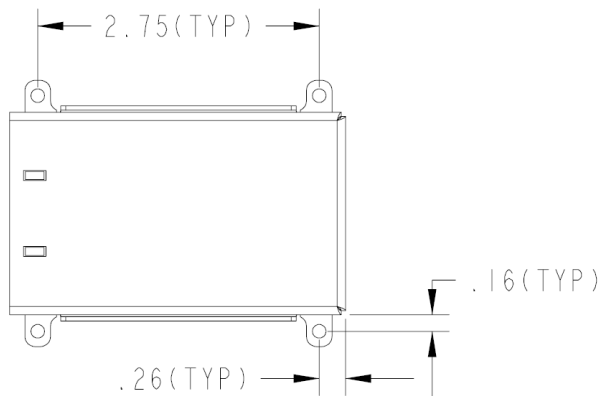
Power

Via USB 3.0
5 VDC
900 mA

Weight

204.1 grams

Dimensions



Marshall Electronics warranties to the first consumer that this device will, under normal use, be free from defects in workmanship and materials, when received in its original container, for a period of two years from the purchase date. This warranty is extended to the first consumer only, and proof of purchase is necessary to honor the warranty. If there is no proof of purchase provided with a warranty claim, Marshall Electronics reserves the right not to honor the warranty set forth above. Therefore, labor and parts may be charged to the consumer. This warranty does not apply to the product exterior or cosmetics. Misuse, abnormal handling, alterations or modifications in design or construction void this warranty. No sales personnel of the seller or any other person is authorized to make any warranties other than those described above, or to extend the duration of any warranties on behalf of Marshall Electronics, beyond the time period described above. Due to constant effort to improve products and product features, specifications may change without notice.

Marshall Electronics, Inc.

1910 East Maple Ave.
El Segundo, CA 90245

Tel: (800) 800-6608 / (310) 333-0606 • Fax: 310-333-0688
www.LCDRacks.com • support@marshall-usa.com 5/15