

SWIT®

S-4010/S-4020/S-4030

Power Station Box

Ver:C.2

USER MANUAL

SWIT Electronics Co.,LTD.

Tel:+86-25-85805753
Fax:+86-25-85805296
http://www.swit.cc
E-mail: contact@swit.cc

Congratulations on your purchase of this product. Please read this user manual carefully.

Warning

- ◆ Never expose this product to rain or moisture.
- ◆ Never attempt to open this product, please contact the local agent if have problems.
- ◆ Never use metal or other conductors to touch the inside of this product.
- ◆ Never use the charger not provided by the manufacturer to charge the Li-ion batteries in order to avoid damage.
- ◆ Never short-circuit the output socket.
- ◆ Never put this product in unstable place, it may fall and cause serious damage.

Caution

- ◆ Only limited to charge/discharge specified size of batteries.
- ◆ Only work in the temperature between 0°C- 40°C.
- ◆ Keep the terminals clean and ensure the reliable connection.
- ◆ Do not cover the cooling vent.
- ◆ Use the specified fuse to avoid damage.
- ◆ Not support charge and discharge at the same time.
- ◆ Pay attention to the selection of the output socket.

Introduction

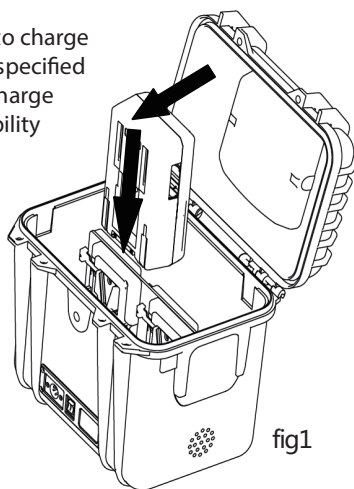
It adopts PP+ Fiber glass case which is high intensity, high toughness and high temperature resistant. It can install 4 pieces of V-mount batteries which can provide more power and longer power supply time comparing to single Li-ion battery. It can meet the demand of different users, and is very suitable for Cine cameras, lightings for Film & Television and mobile studios.

Feature

1. PP+ Fiber glass case, strong and durable
2. Install 4 x V-mount batteries
3. Charging without take out batteries by provided 4-pin XLR DC charging socket
4. LED panel to display real-time voltage and low voltage warning
5. Intelligent protective circuit design, safe and reliable

Charging

1. Install the V-mount battery following the arrow direction as shown in figure 1. Battery and battery plate are well connected with cracking sounds.
2. Use the provided battery charger to charge (Only limited to charge/discharge specified batteries). It may cause danger if charge other batteries due to incompatibility problem, see details as showed in "Applicable Battery". It can charge maximum 4 V-mount batteries simultaneously.
3. Make sure the batteries and battery plates are well connected before charging.
4. During charging process, pls refer to "LED panel instruction" to check the status.
5. When the indicator turns green, it means fully charged.



Discharging

1. Install the V-mount battery following the arrow direction as shown in figure 1. Battery and battery plate are well connected with cracking sounds.
2. To ensure continuous power supply and maximum power output, it is recommended to use 4 pieces of the same model and fully charged V-mount batteries to discharge, otherwise the loading capacity will reduce or cause battery and adapter protection.
3. S-4020 can output 12V or 24V according to the demands:
 - ①. Dial up the power switch to "—", 12V will be activate, DC 11-16.8V has output while DC 22-33.6V has no output.
 - ②. Dial down the power switch to "=", 24V will be activate, DC 22-33.6V has output while DC 11-16.8V has no output.
4. For S-4030, the sum of 2 channels maximum output load is 15A.
5. Please choose the proper XLR cable. Make sure this product and load equipment are well connected and no short circuit before loading.
6. Please change or charging the Li-ion batteries if the LED low battery warning displays.

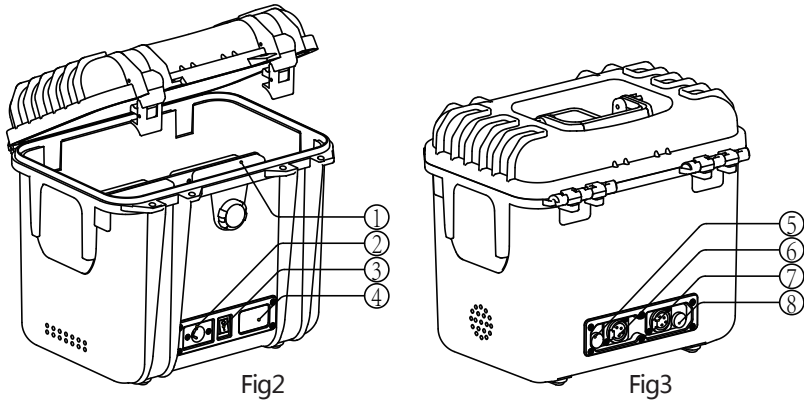
Applicable Battery

All SWIT V-mount batteries no larger than 168x101x68mm

Storage

- ◆ Please turn off the power switch if it is not used for a long time and take out the inside V-mount batteries.
- ◆ Keep in cool and dry place.
- ◆ Please avoid contact with corrosive substances, away from fire and heat source.

Product appearance



- ① Battery plate
- ② 4-pin XLR DC charging socket
(Pin 1: Negative, Pin 3: Positive)
- ③ On/Off

S-4010	"O" : OFF
S-4030	" " : ON
S-4020	"—" : 12V working mode
	"O" : OFF
	"=" : 24V working mode

- ④ LED display panel
- ⑤ ⑧ Fuse holder
- ⑥ ⑦ DC output

S-4010	⑥ ⑦ 4-pin XLR DC output socket (Pin 1: Negative, Pin 4: Positive)	S-4020	⑥ 3-pin XLR DC output socket (Pin 1: Negative, Pin 2: Positive)
S-4030	⑥ ⑦ 3-pin XLR DC output socket (Pin 1: Negative, Pin 2: Positive)		⑦ 4-pin XLR DC output socket (Pin 1: Negative, Pin 4: Positive)

LED Panel Instruction

Function	Model	ON/OFF state	LED panel State
Charging	S-4010	O	No Display
			The outermost ring of the LED panel displays in recycling show way and after each circle, it will display the current voltage.
	S-4020	—	The outermost ring of the LED panel displays in recycling show way and after each circle, it will display the current voltage.
		O	No Display
	S-4030	=	No Display
		O	No Display
Discharge	S-4010 S-4020 S-4030	Not in "O" position	Normal Working Status: The outermost ring of the LED panel displays in recycling show way and after each circle, it will display the current voltage.
			Under Voltage Alarm: The LED panel display and flash " L... ", it indicates that the voltage of the current batteries is lower than the under-voltage protection value.
			Note: (1). The under-voltage protection value for 12V operating mode is 13V; (2). The under-voltage protection value for 24V operating mode is 26V.

Specification

Model	S-4010 (Dual 12V output)	S-4020(12V/24V output)	S-4030 (Dual 24V output)
Input	DC 16.8V 5A (Charging)	DC 16.8V 5A (Charging)	DC 16.8V 5A (Charging)
Output	DC11-16.8V 15Ax2 (180Wx2)	DC 11-16.8V 15A (180W) Or DC 22-33.6V 15A (360W)	DC 22-33.6V x2 Together 15A(360W)
Dimension	290mm x 221mm x 278mm		
Net weight	3.45Kg		
Working environment	Working temperature: 0°C ~ +40°C Working humidity: 10% ~ 90% Storage temperature: -15°C ~ + 60°C		

Packing List

Item Name	Quantity
Power Station Box	x1
Fuse(65TS-150H/L)	x2
Charger	x1
Power Cable	x1
Warranty Card	x1
User Manual	x1
Certificate of Quality	x1

Trouble-shooting

Description	Possible Cause	Solution
Can not output to power equipments, but the LED panel display voltage	Fuse has been damaged	Change fuse
	DC output socket is not connected to the equipment or not reliable connected	Reconnect the XLR cable.