

# 1074 ARROW<sup>x</sup> 5 FLUID HEAD



CAD rendered image

## THE ENG/EFP MASTER

Following in the tradition and reputation of the world-renowned Arrow series, the all-new Arrow<sup>x</sup> 5 sets new dimensions in professional camera support augmenting the power of expression of creative professionals.

Featuring a wide payload range, precision fluid drag and Miller's innovative 16 position CB Plus™ counterbalance system, Arrow<sup>x</sup> 5 delivers the flexibility, speed of set up and accuracy of shot, professionals expect and demand from Miller's 62 years of experience.

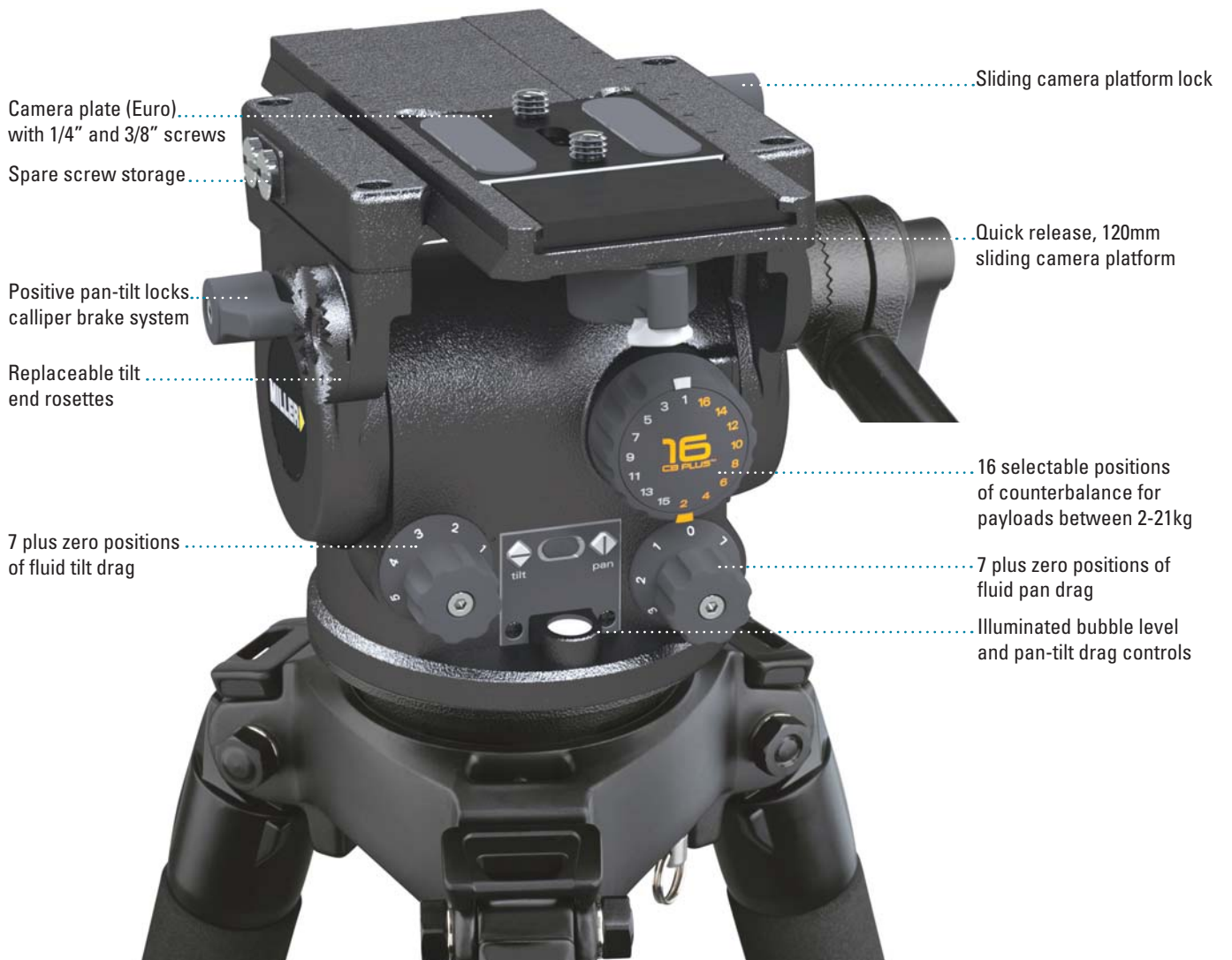
2-21kg (4.4-46.2lbs) payload range and 7 + 0 selectable pan-tilt fluid drag positions make Arrow<sup>x</sup> 5 ideal for ENG and EFP, enabling it to be used with a wide range of cameras, lenses and accessories and offering.

CB Plus™ is an innovative sequential counterbalance design, taking traditional counter balancing a step forward ahead of the rest, resulting in repeatable, accurate and rapid setup. CB Plus™ features eight larger counterbalance steps, allowing the user to get to their required counterbalance position quickly and efficiently. The CB Plus "one flick" switch conveniently located at the front of the head, adds a half step between each of the eight larger steps enabling counterbalance fine-tuning when required.

The new Arrow<sup>x</sup> 5 comes with the reliability and "THE RIGHT FEEL" that are the hallmarks of every Miller product.

## Features

- Compact, lightweight and versatile.
- 7 selectable of fluid pan and tilt drag positions +0.
- 16 position CB Plus™ counterbalance system.
- Wide payload range 2-21kg (4.4-46.2lbs).
- Fluid drag system with smooth start and soft stop technology & balanced diagonal transitions.
- Controls "all in one location" design for fast, easy and practical use.
- Illuminated bubble level and pan-tilt drag controls.
- Precise floating pan-tilt calliper locks ensure bounce free on-off performance.
- Quick release, 120mm sliding camera platform with camera plate (euro).
- Removable ball level stud for flat base mounting (Sliders) with 3/8" screw hole.
- Mitchell base adaptable.
- Robust construction for rugged outdoor shooting conditions.
- Optional second pan handle mount.
- Side mounting points for viewfinders and accessories.
- Three-year warranty.



Camera plate (Euro) with 1/4" and 3/8" screws

Spare screw storage

Positive pan-tilt locks calliper brake system

Replaceable tilt end rosettes

7 plus zero positions of fluid tilt drag

Sliding camera platform lock

Quick release, 120mm sliding camera platform

16 selectable positions of counterbalance for payloads between 2-21kg

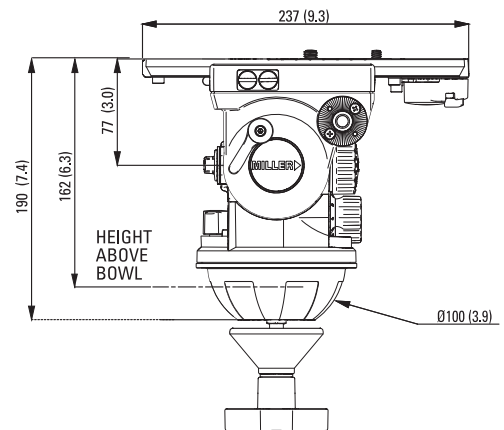
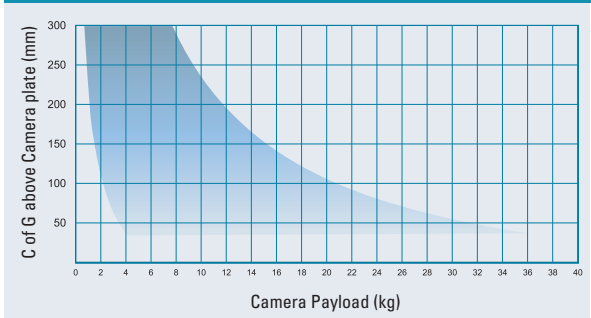
7 plus zero positions of fluid pan drag

Illuminated bubble level and pan-tilt drag controls

**Specifications -1074**

Weight	3.4kg (7.4lbs)
Payload range	2-21kg (4.4-46.2lbs)
Pan-tilt drag	7 selectable fluid drag positions + 0
Pan range	360°
Pan-tilt locks	Positive lock calliper brake system
Tilt angle	+90°/-75°
Counterbalance	16 selectable positions
Camera platform	Quick release camera plate with 1/4" and 3/8" screws
Sliding range	120mm (4.7")
Height above bowl	162mm (6.4")
Mounting base	100mm (3.9") ball levelling with 3 x M5 holes for flat base mounting
Illuminated controls	Bubble level, pan-tilt drag controls
Temperature range	-40° to +65°C (-40° to +149°F)
Pan handle	Telescopic 390 to 590mm (15.4 to 23.2")

**Counterbalance Performance**



# Systems Arrow<sup>x</sup> 5

**3092**

**System Arrow<sup>x</sup> 5 Sprinter II 1-stage (alloy)**  
with 470 On ground spreader



2-21kg  
4.4-46.2lbs



7.8kg  
17.3lbs



797-1587mm  
31.4-62.5"



1002mm  
39.4"



**Components:**

1074	Arrow <sup>x</sup> 5 fluid head
1589G	Sprinter II 1-stage tripod (alloy)
470	On ground spreader
696	Pan handle - telescopic with clamp
870	Arrow softcase1-stage

**3093**

**System Arrow<sup>x</sup> 5 Sprinter II 1-stage (alloy)**  
with 993 Mid level spreader + 475 feet



2-21kg  
4.4-46.2lbs



8.2kg  
18.2lbs



832-1592mm  
32.8-62.8"



1002mm  
39.4"



**Components:**

1074	Arrow <sup>x</sup> 5 fluid head
1589	Sprinter II 1-stage tripod (alloy)
993	Mid level spreader
475	Rubber feet (set of 3)
696	Pan handle - telescopic with clamp
870	Arrow softcase 1-stage

**3097**

**System Arrow<sup>x</sup> 5 Sprinter II 2-stage (alloy)**  
with 993 Mid level spreader + 475 feet



2-21kg  
4.4-46.2lbs



8.8kg  
19.6lbs



602-1692mm  
23.7-66.6"



862mm  
33.9"



**Components:**

1074	Arrow <sup>x</sup> 5 fluid head
1580	Sprinter II 2-stage tripod (alloy)
993	Mid level spreader
475	Rubber feet (set of 3)
696	Pan handle - telescopic with clamp
872	Arrow softcase 2-stage

**3101**

**System Arrow<sup>x</sup> 5 Sprinter II 2-stage (carbon fibre)**  
with 993 Mid level spreader + 475 feet



2-21kg  
4.4-46.2lbs



8.2kg  
18.2lbs



602-1692mm  
23.7-66.6"



862mm  
33.9"



**Components:**

1074	Arrow <sup>x</sup> 5 fluid head
1576	Sprinter II 2-stage tripod (carbon fibre)
993	Mid level spreader
475	Rubber feet (set of 3)
696	Pan handle - telescopic with clamp
975	Arrow shell case with wheels

\*System weights do not include the weight of the bag

**3128**  
**System Arrow<sup>x</sup> 5 Solo 100 3-stage (carbon fibre)**



2-21kg  
 4.4-46.2lbs



7.1kg  
 15.8lbs



382-2032mm  
 15-80"



820mm  
 32.3"



**Components:**

1074	Arrow <sup>x</sup> 5 fluid head
1505	Solo 100 3-stage tripod (carbon fibre)
696	Pan handle - telescopic with clamp
1520	Solo shoulder strap (Aircell)
872	Arrow softcase 2-stage

**Arrow<sup>x</sup> 5 System Comparison Chart**

CAT	Components:	3092	3093	3097	3101	3128
1074	Arrow <sup>x</sup> 5 fluid head	•	•	•	•	•
860	Camera plate (Euro) with 1/4" & 3/8" screws	•	•	•	•	•
696	Pan handle - telescopic with clamp	•	•	•	•	•
1589	Sprinter II 1-stage tripod (alloy)		•			
1589G	Sprinter II 1-stage tripod (alloy)	•				
1580	Sprinter II 2-stage tripod (alloy)			•		
1576	Sprinter II 2-stage tripod (carbon fibre)				•	
1505	Solo 100 3-stage tripod (carbon fibre)					•
470	On ground spreader	•				
993	Mid level spreader		•	•	•	
475	Rubber feet (set of 3)		•	•	•	
1520	Solo shoulder strap (Aircell)					•
870	Arrow softcase 1-stage	•	•			
872	Arrow softcase 2-stage			•		•
975	Arrow shell case with wheels				•	

**Accessories:**

858	Offset camera plate with 2 x 3/8" screws
860	Camera plate (Euro) with 1/4" & 3/8" screws
696	Pan handle - telescopic with clamp
1219	Accessory mounting bracket
1217	Accessory adaptor 1/4", 3/8" holes to suit 1219
1225	Mitchel base adaptor with clamp