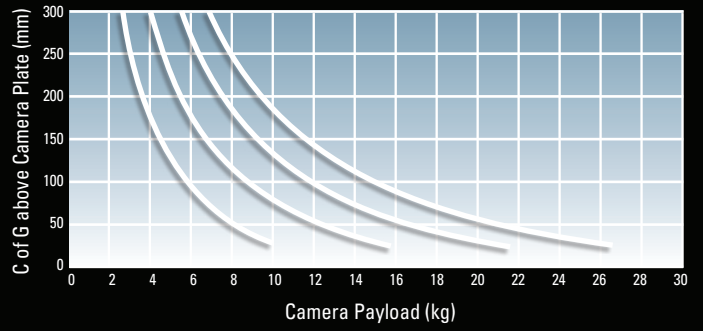


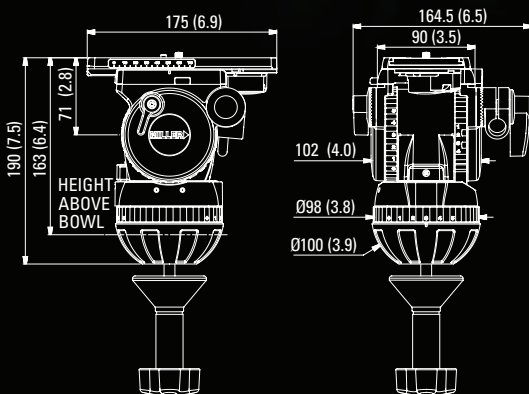
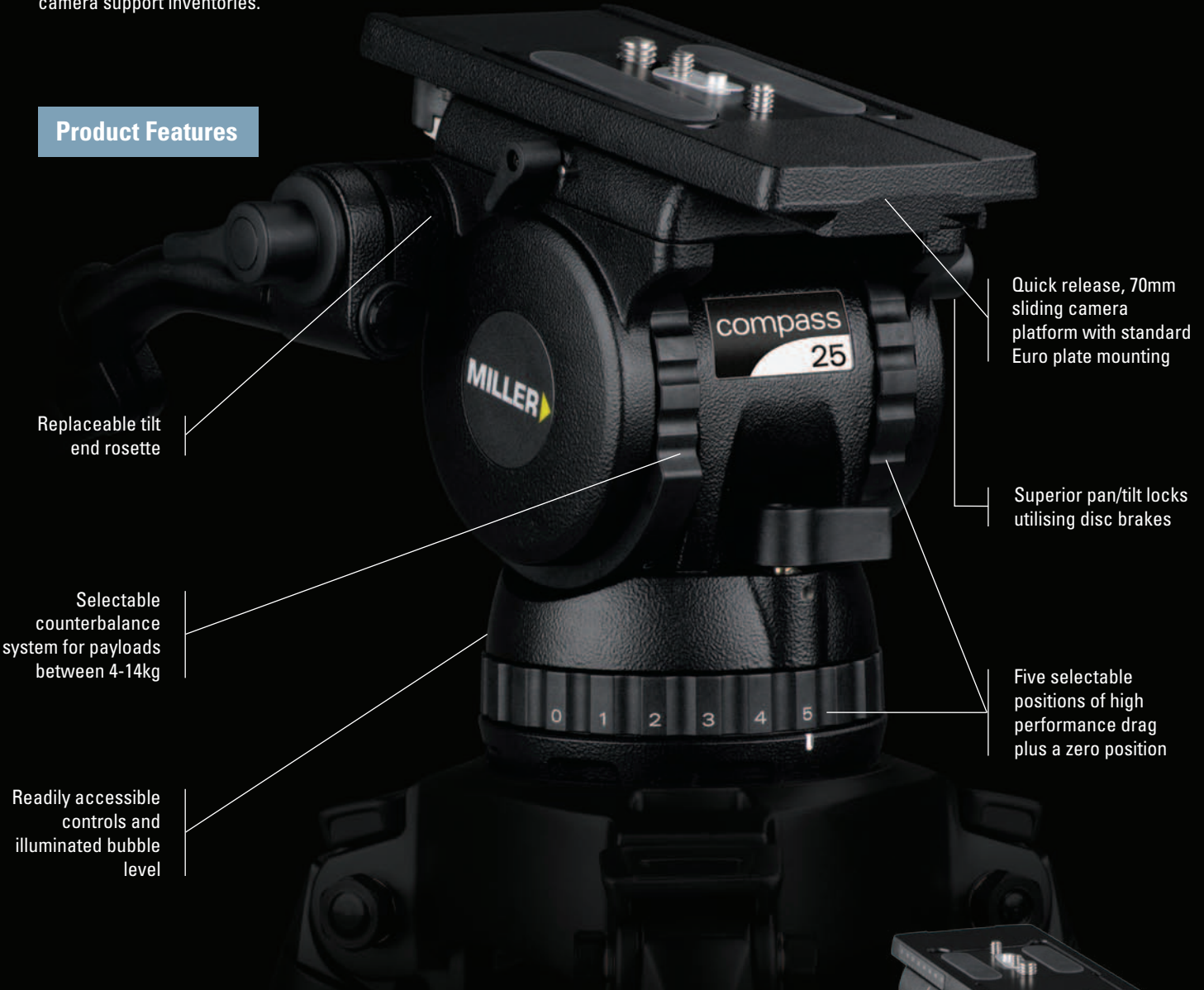
Compass 25 Fluid Head

The Compass 25 fluid head with 4-14kg payload range enables a diverse choice of cameras and camera configurations to be used. From HDV/ DVCAM to XDCAM and P2HD cameras the Compass 25 fluid head is one of the most versatile pan/tilt heads available. The Compass 25 incorporates the best pan and tilt fluid drag range in its class combined with a selectable counterbalance system and 100mm ball levelling. A quick release camera mounting system utilising the standard Euro camera plate allows it to integrate easily into existing camera support inventories.

Counterbalance Performance



Product Features



Product Specifications

Product Cat#:	1038
Product Name:	Compass 25 Fluid Head
Weight:	2.8kg (6.2 lb)
Payload Range:	4 to 14kg (8.8 to 30.9 lb)
Pan Drag:	5 selectable fluid drag positions + 0
Pan Range:	360°
Pan Lock:	Calliper disc brake system
Tilt Drag:	5 selectable fluid drag positions + 0
Tilt Range:	+90°/- 75°
Tilt Lock:	Calliper disc brake system
Counterbalance:	4 selectable positions
Camera Platform Type:	Sliding Camera Platform with quick release Euro plate with ¼" & pin and ¼" and 3/8" screws
Sliding Range:	70mm
Height Above Bowl:	163mm
Mounting Base:	100mm ball levelling
Illumination:	Bubble level
Temperature Range:	-40°C to + 65°C
Pan Handle:	Telescopic

#1854

Components:	
Compass 25 Fluid Head	(1038)
Sprinter II 2 Stage CF Tripod	(1576)
SprinterII/HD Mid Level Spreader	(993)
Pan Handle with Handle Carrier	(694)
SprinterII/HD Tripod Rubber Feet	(475)
Softcase	(872)
Specifications:	
Weight*:	9.65 kg (21.3 lb)
Payload range:	4-14 kg (8.8-30.9 lb)
Transport length:	863 mm (33.9 in)
Height range:	603-1693 mm (23.7-66.6 in)



#1857

Components:	
Compass 25 Fluid Head	(1038)
Solo ENG 3 Stage Carbon Fibre Tripod	(1505)
Pan Handle with Handle Carrier	(694)
Solo Shoulder Strap	(1520)
Softcase	(872)
Specifications:	
Weight*:	8.9 kg (19.6 lb)
Payload range:	4-14kg (8.8-30.9 lb)
Transport length:	821 mm (32.3 in)
Height range:	383-2033 mm (15.1-80 in)



#1851

Components:	
Compass 25 Fluid Head	(1038)
2 Stage 100mm Alloy Tripod	(402)
Ground Spreader	(411)
Pan Handle with Handle Carrier	(694)
Tripod Shoulder Strap	(554)
Softcase	(876)
Specifications:	
Weight*:	8.1 kg (19.6 lb)
Payload range:	4-14kg (8.8-30.9 lb)
Transport length:	853 mm (33.8 in)
Height range:	553-1723 mm (22.0-68.0 in)



#1852

Components:	
Compass 25 Fluid Head	(1038)
2 Stage 100mm Alloy Tripod	(402)
Above Ground Spreader	(508)
ENG/EFP Tripod Rubber Feet	(550)
Pan Handle with Handle Carrier	(694)
Tripod Shoulder Strap	(554)
Softcase	(876)
Specifications:	
Weight*:	8.1 kg (19.6 lb)
Payload range:	4-14kg (8.8-30.9 lb)
Transport length:	853 mm (33.8 in)
Height range:	553-1723 mm (22.0-68.0 in)



*Weight includes softcase