

LED-T1000 LED TUBE SERIES



The Dracast LEDT1000 Series is the evolution of the fluorescent soft light fixture. Using the latest in surface mount LED technology, we've created ultra high output, soft light banks that are unlike any you've seen before. TUBE Series LEDs are shatterproof, flicker-free, instant-on, battery operational, with zero-hum and single color and bi-color options. You now have all the portability and flexibility of LED, PLUS all of the benefits of shooting with ultra-soft light.

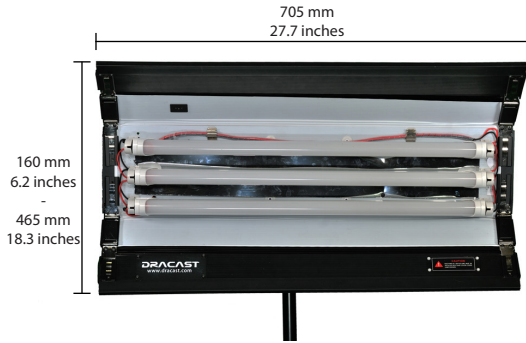
TUBE Series LEDs are currently available in three sizes: the T1000, T2000, and new T4000. The T1000 is a compact, portable 3 bank fixture featuring 2' LED tubes. The larger T2000 brings all the features and portability of the T1000 with 4' LED tubes. The largest T4000 is a powerhouse of a softlight featuring 6 4' LED tubes in a single fixture.

Like other fixtures from Dracast, the TUBE Series is available in three color temperature models: 3200K (Tungsten), 5600K (Daylight), and 3200K - 5600K (Variable CCT). All three versions deliver continuous 0 - 100% dimming and excellent color rendition across the color spectrum with 95 CRI Cree Surface Mount LEDs. Each LED tube has a lifetime of approximately 50,000 hours.

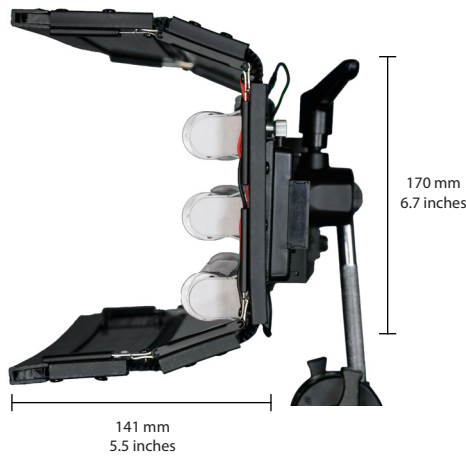
Additionally, TUBE Series lights can be controlled remotely via RJ-45 DMX in/out ports or locally with on-board controls. Each TUBE Series incorporate a beautiful new digital display that delivers a readout of the CCT, light output, and DMX address. The T1000 and T2000 fixtures are also built for portability and can be battery operated via the included V-Mount or Gold Mount battery plate on the rear of the fixture.

Photometric Data	6 ft / 1.8 m	12 ft / 3.7 m	18 ft / 5.4 m	18 ft / 5.4 m
LED-T1000 TUBE SERIES 5600K DRTP-LED1000-D	205 fc 2209 lux	73 fc 788 lux	21 fc 226 lux	21 fc 226 lux
LED-T1000 TUBE SERIES 3200K DRTP-LED1000-T	209 fc 2253 lux	74 fc 798 lux	29 fc 309 lux	13 fc 139 lux
LED-T1000 TUBE SERIES 3200K - 5600K DRTP-LED1000-B	122 fc @ 3200K 126 fc @ 5600K 1314 lux @ 3200K 1357 lux @ 5600K	27 fc @ 3200K 31 fc @ 5600K 290 lux @ 3200K 333 lux @ 5600K	12 fc @ 3200K 13 fc @ 5600K 128 lux @ 3200K 141 lux @ 5600K	7 fc @ 3200K 8 fc @ 5600K 72 lux @ 3200K 83 lux @ 5600K

Part No.	Included
DRTP-LED1000-D	LED-T1000 Tube Series 5600K Daylight, x3 5600K LED Tubes, 5/8" Baby Pin Ball/Socket Swivel Mount, A/C Power Supply
DRTP-LED1000-T	LED-T1000 Tube Series 3200K Tungsten, x3 3200K LED Tubes, 5/8" Baby Pin Ball/Socket Swivel Mount, A/C Power Supply
DRTP-LED1000-B	LED-T1000 Tube Series 3200K - 5600K Bi-Color, x3 3200K - 5600K LED Tubes, 5/8" Baby Pin Ball/Socket Swivel Mount, A/C Power Supply



465 mm
18.3 inches



Specifications Details

Optical System	Each 2' LED tube contains 144 surface mount LEDs in 2 x 72 arrangement
Light Aperture	Approx 23.3" x 4.5"
Beam Angle	45° Beam Angle
Weight	6.8 lbs (3.08 kg)
Handling	Locking Ball/Socket Swivel Adjustment Handle.
Mounting	5/8" Baby Pin Ball/Socket Swivel Mount
Tilt Angle	270°
Voltage Input	12 V DC
Power Consumption	55 W
Power Connection	110 - 240 VAC, 50 - 60 Hz, 2.0 A
Battery Connection	V-Mount or Gold Mount Battery Plate (included)
Battery DC Voltage	14.4 V DC
Battery Light Output	100% of Total Output
Color Temperature	3200K - 5600K (Variable or fixed color temperature depending on model)
Color Rendition	CRI > 95
Dimming	0 - 100% Continuous
Controls	Local On-Board Manual Controls / RJ-45 DMX In / Out
Housing Color	Black / Blue
Housing Build	Corrugated Hard Plastic / Aluminum Alloy
Est. LED Lifetime	50,000 hours

Available Accessories

DRT-95CRI-2D	Replacement 2' LED Tube - 5600K Daylight
DRT-95CRI-TD	Replacement 2' LED Tube - 3200K Tungsten
DRT-95CRI-BD	Replacement 2' LED Tube - 3200K - 5600K Variable CCT
DLS-805	Dracast Portable Light Stand