

## LED-T2000 LED TUBE SERIES



The Dracast TUBE Series is the evolution of the fluorescent soft light fixture. Using the latest in surface mount LED technology, we've created ultra high output, soft light banks that are unlike any you've seen before. TUBE Series LEDs are shatterproof, flicker-free, instant-on, battery operational, with zero-hum and single color and bi-color options. You now have all the portability and flexibility of LED, PLUS all of the benefits of shooting with ultra-soft light.

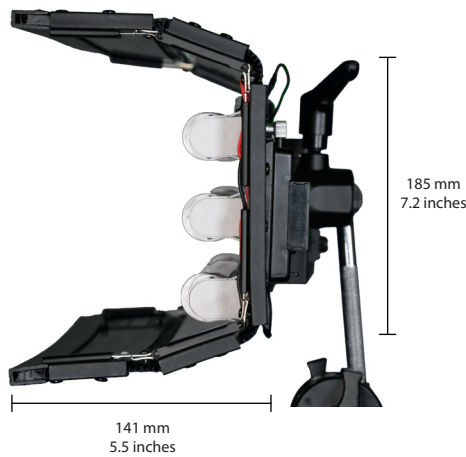
TUBE Series LEDs are currently available in three sizes: the T1000, T2000, and new T4000. The T1000 is a compact, portable 3 bank fixture featuring 2' LED tubes. The larger T2000 brings all the features and portability of the T1000 with 4' LED tubes. The largest T4000 is a powerhouse of a softlight featuring 6 4' LED tubes in a single fixture.

Like other fixtures from Dracast, the TUBE Series is available in three color temperature models: 3200K (Tungsten), 5600K (Daylight), and 3200K - 5600K (Variable CCT). All three versions deliver continuous 0 - 100% dimming and excellent color rendition across the color spectrum with 95 CRI Cree Surface Mount LEDs. Each LED tube has a lifetime of approximately 50,000 hours.

Additionally, TUBE Series lights can be controlled remotely via RJ-45 DMX in/out ports or locally with on-board controls. Each TUBE Series incorporate a beautiful new digital display that delivers a readout of the CCT, light output, and DMX address. The T1000 and T2000 fixtures are also built for portability and can be battery operated via the included V-Mount or Gold Mount battery plate on the rear of the fixture.

Photometric Data	3 ft / 0.9 m	6 ft / 1.8 m	9 ft / 2.7 m	12 ft / 3.7 m
LED-T2000 TUBE SERIES 5600K DRTP-LED2000-D	410 fc 4418 lux	146 fc 1576 lux	42 fc 452 lux	24 fc 254 lux
LED-T2000 TUBE SERIES 3200K DRTP-LED2000-T	419 fc 4506 lux	148 fc 1596 lux	57 fc 618 lux	26 fc 278 lux
LED-T2000 TUBE SERIES 3200K - 5600K DRTP-LED2000-B	248 fc @ 3200K 287 fc @ 5600K 2667 lux @ 3200K 3086 lux @ 5600K	63 fc @ 3200K 69 fc @ 5600K 674 lux @ 3200K 743 lux @ 5600K	27 fc @ 3200K 27 fc @ 5600K 294 lux @ 3200K 291 lux @ 5600K	15 fc @ 3200K 14 fc @ 5600K 158 lux @ 3200K 150 lux @ 5600K

Part No.	Included
DRTP-LED2000-D	LED-T2000 Tube Series 5600K Daylight, x3 5600K LED Tubes, 5/8" Baby Pin Ball/Socket Swivel Mount, A/C Power Supply, Nylon Soft Case
DRTP-LED2000-T	LED-T2000 Tube Series 3200K Tungsten, x3 3200K LED Tubes, 5/8" Baby Pin Ball/Socket Swivel Mount, A/C Power Supply, Nylon Soft Case
DRTP-LED2000-B	LED-T2000 Tube Series 3200K - 5600K Bi-Color LED Tubes, 5/8" Baby Pin Ball/Socket Swivel Mount, A/C Power Supply, Nylon Soft Case



## Specifications Details

Optical System	Each 4' LED tube contains 288 surface mount LEDs in 2 x 144 arrangement
Light Aperture	Approx 46.6" x 4.5"
Beam Angle	45° Beam Angle
Weight	9.5 lbs (4.3 kg)
Handling	Locking Ball/Socket Swivel Adjustment Handle.
Mounting	5/8" Baby Pin Ball/Socket Swivel Mount
Tilt Angle	270°
Voltage Input	12 V DC
Power Consumption	110 W
Power Connection	110 - 240 VAC, 50 - 60 Hz, 2.0 A
Battery Connection	V-Mount or Gold Mount Battery Plate (included)
Battery DC Voltage	14.4 V DC
Battery Light Output	100% of Total Output
Color Temperature	3200K - 5600K (Variable or fixed color temperature depending on model)
Color Rendition	CRI > 95
Dimming	0 - 100% Continuous
Controls	Local On-Board Manual Controls / RJ-45 DMX In / Out
Housing Color	Black / Blue
Housing Build	Corrugated Hard Plastic / Aluminum Alloy
Est. LED Lifetime	50,000 hours

## Available Accessories

DRT-95CRI-4D	Replacement 4' LED Tube - 5600K Daylight
DRT-95CRI-4T	Replacement 4' LED Tube - 3200K Tungsten
DRT-95CRI-4B	Replacement 4' LED Tube - 3200K - 5600K Variable CCT
DLS-805	Dracast Portable Light Stand