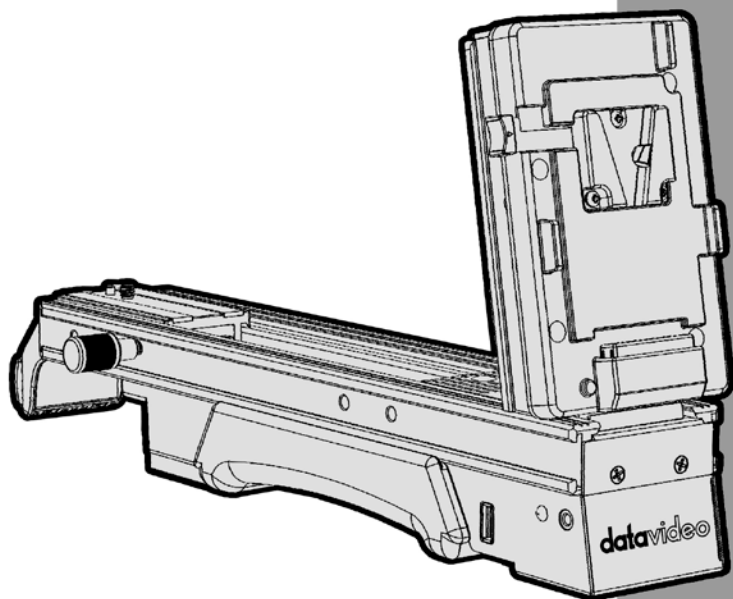


**datavideo**



**CAMERA SLED**

**SLD-1**

**Instruction Manual**

[www.datavideo.com](http://www.datavideo.com)

# Table of Contents

<b>FCC COMPLIANCE STATEMENT</b> .....	<b>2</b>
<b>WARNINGS AND PRECAUTIONS</b> .....	<b>2</b>
<b>WARRANTY</b> .....	<b>3</b>
STANDARD WARRANTY .....	3
TWO YEAR WARRANTY .....	3
<b>DISPOSAL</b> .....	<b>3</b>
<b>1. INTRODUCTION</b> .....	<b>4</b>
1.2 <b>FEATURES</b> .....	4
<b>2. CONNECTIONS</b> .....	<b>5</b>
<b>3. QUICK CAMERA REMOVAL</b> .....	<b>8</b>
<b>4. OPTIONAL POWER BOARD</b> .....	<b>9</b>
<b>5. APPLICATION DIAGRAMS</b> .....	<b>10</b>
CAMERA AND AD-2.....	10
ON TRIPOD.....	10
CAMERA AND V-MOUNT BATTERY.....	10
<b>6. DIMENSIONS</b> .....	<b>11</b>
<b>7. SPECIFICATIONS</b> .....	<b>12</b>
<b>SERVICE &amp; SUPPORT</b> .....	<b>13</b>

## **Disclaimer of Product & Services**

The information offered in this instruction manual is intended as a guide only. At all times, Datavideo Technologies will try to give correct, complete and suitable information. However, Datavideo Technologies cannot exclude that some information in this manual, from time to time, may not be correct or may be incomplete. This manual may contain typing errors, omissions or incorrect information. Datavideo Technologies always recommend that you double check the information in this document for accuracy before making any purchase decision or using the product. Datavideo Technologies is not responsible for any omissions or errors, or for any subsequent loss or damage caused by using the information contained within this manual. Further advice on the content of this manual or on the product can be obtained by contacting your local Datavideo Office or dealer.

# FCC Compliance Statement

This device complies with part 15 of the FCC rules. Operation is subject to the following two conditions:

1. This device may not cause harmful interference, and
2. This device must accept any interference received, including interference that may cause undesired operation.

## Warnings and Precautions



1. Read all of these warnings and save them for later reference.
2. Follow all warnings and instructions marked on this unit.
3. Unplug this unit from the wall outlet before cleaning. Do not use liquid or aerosol cleaners. Use a damp cloth for cleaning.
4. Do not use this unit in or near water.
5. Do not place this unit on an unstable cart, stand, or table. The unit may fall, causing serious damage.
6. Slots and openings on the cabinet top, back, and bottom are provided for ventilation. To ensure safe and reliable operation of this unit, and to protect it from overheating, do not block or cover these openings. Do not place this unit on a bed, sofa, rug, or similar surface, as the ventilation openings on the bottom of the cabinet will be blocked. This unit should never be placed near or over a heat register or radiator. This unit should not be placed in a built-in installation unless proper ventilation is provided.
7. This product should only be operated from the type of power source indicated on the marking label of the AC adapter. If you are not sure of the type of power available, consult your Datavideo dealer or your local power company.
8. Do not allow anything to rest on the power cord. Do not locate this unit where the power cord will be walked on, rolled over, or otherwise stressed.
9. If an extension cord must be used with this unit, make sure that the total of the ampere ratings on the products plugged into the extension cord do not exceed the extension cord rating.
10. Make sure that the total amperes of all the units that are plugged into a single wall outlet do not exceed 15 amperes.
11. Never push objects of any kind into this unit through the cabinet ventilation slots, as they may touch dangerous voltage points or short out parts that could result in risk of fire or electric shock. Never spill liquid of any kind onto or into this unit.
12. Except as specifically explained elsewhere in this manual, do not attempt to service this product yourself. Opening or removing covers that are marked "Do Not Remove" may expose you to dangerous voltage points or other risks, and will void your warranty. Refer all service issues to qualified service personnel.
13. Unplug this product from the wall outlet and refer to qualified service personnel under the following conditions:
  - a. When the power cord is damaged or frayed;
  - b. When liquid has spilled into the unit;
  - c. When the product has been exposed to rain or water;
  - d. When the product does not operate normally under normal operating conditions. Adjust only those controls that are covered by the operating instructions in this manual; improper adjustment of other controls may result in damage to the unit and may often require extensive work by a qualified technician to restore the unit to normal operation;
  - e. When the product has been dropped or the cabinet has been damaged;
  - f. When the product exhibits a distinct change in performance, indicating a need for service.

# Warranty

## Standard Warranty

- Datavideo equipment is guaranteed against any manufacturing defects for one year from the date of purchase.
- The original purchase invoice or other documentary evidence should be supplied at the time of any request for repair under warranty.
- Damage caused by accident, misuse, unauthorized repairs, sand, grit or water is not covered by this warranty.
- All mail or transportation costs including insurance are at the expense of the owner.
- All other claims of any nature are not covered.
- Cables & batteries are not covered under warranty.
- Warranty only valid within the country or region of purchase.
- Your statutory rights are not affected.

## Two Year Warranty

- All Datavideo products purchased after 01-Oct.-2008 qualify for a free one year extension to the standard Warranty, providing the product is registered with Datavideo within 30 days of purchase. For information on how to register please visit [www.datavideo.com](http://www.datavideo.com) or contact your local Datavideo office or authorized Distributors
- Certain parts with limited lifetime expectancy such as LCD Panels, DVD Drives, Hard Drives are only covered for the first 10,000 hours, or 1 year (whichever comes first).



Any second year warranty claims must be made to your local Datavideo office or one of its authorized Distributors before the extended warranty expires.

## Disposal



### For EU Customers only - WEEE Marking.

This symbol on the product indicates that it will not be treated as household waste. It must be handed over to the applicable take-back scheme for the recycling of Waste Electrical and Electronic Equipment. For more detailed information about the recycling of this product, please contact your local Datavideo office.

# 1. Introduction

SLD-1 Camera SLED is a shoulder mount rig for offering comfortable and professional operation. It perfectly accommodates many popular cameras from major camera manufacturers.

Equipped with rear V-mount battery plate, the SLD-1 Camera SLED has extra power options and allows for other accessories to be mounted to the back like AD-2 adaptor. There is also a D-Tap connector to supply power to camera.

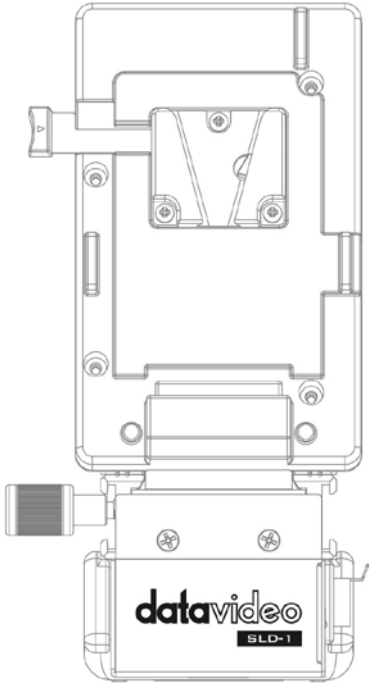
A USB port is included to supply power to LED light. Also, two bi-color tally LED lights are provided to serve as indications to the camera crew.

## 1.2 Features

- Light & robust aluminium die-cast body
- Great weight balance
- Power supply from V-mount battery
- USB port for LED light
- Two bi-color tally LED lights

## 2. Connections

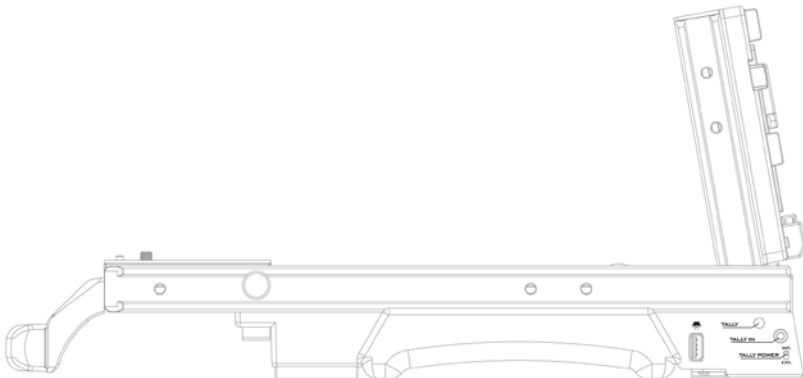
### V-Mount Plate








#### V-Mount Battery Plate

Mount AD-2 adaptor and the V-mount battery to the V-mount battery plate.

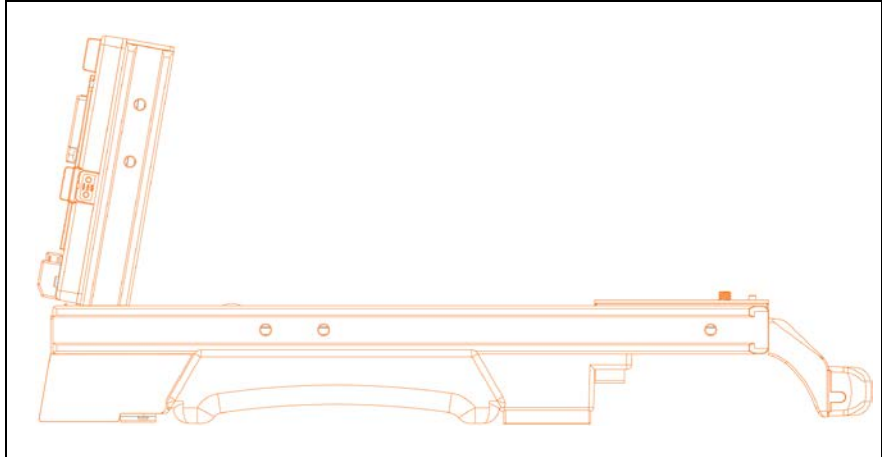
### Left View




	<p><b>USB Port</b></p>	<p>The USB port serves as the LED Light power supply when AD-2 Adaptor is mounted.</p>
	<p><b>Tally IN</b></p>	<p><b>AD-2 Adaptor</b> The tally light signal comes from the AD-2 adaptor when AD-2 is mounted to the V-mount battery plate.</p> <p>The AD-2 Adaptor powers the rear and front bi-color tally LEDs and the USB port, which will thus be able to supply power.</p> <p>Switch to <b>INT mode</b> when AD-2 is mounted.</p> <p><b>ITC-100SL Intercom Belt Pack</b> When ITC-100SL is used, the tally light signal comes from the ITC-100SL Intercom Belt Pack and directly supplies power to the rear and front bi-color tally LEDs without having to mount a V-mount battery to the V-mount battery plate.</p> <p>If the V-mount battery plate is not mounted, the USB port will <b>NOT</b> be able to supply power.</p> <p>Switch to <b>EXT mode</b> when ITC-100SL is connected.</p>
	<p><b>Tally Power Switch</b></p>	<p>The power switch toggles between internal power and external power.</p> <p><b>INT Mode: AD2</b> <b>EXT Mode: ITC-100SL</b></p>

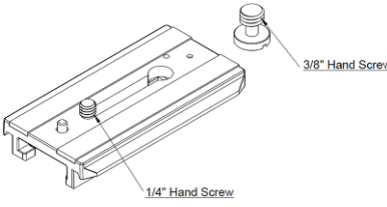
	<b>Rear Bi-Color Tally LED</b>	<b>Red indicates LIVE</b> <b>Green indicates CUED</b>
	<b>Front Bi-Color Tally LED</b>	<b>Red indicates LIVE</b> <b>Green indicates CUED</b>

**Right View**



	<b>D-Tap Connector</b>	Supply power to the camera
---	------------------------	----------------------------

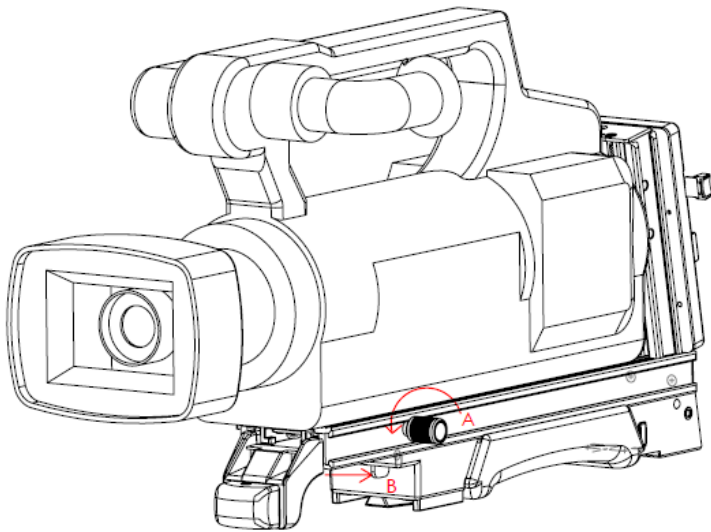
**Camera Mount Plate**

	<p><b>Camera Mounting Plate</b> allows the user to mount different camera models to the SLED with a hand screw.</p> <p>The hand screw comes in two sizes, 1/4" and 3/8".</p>
---	--



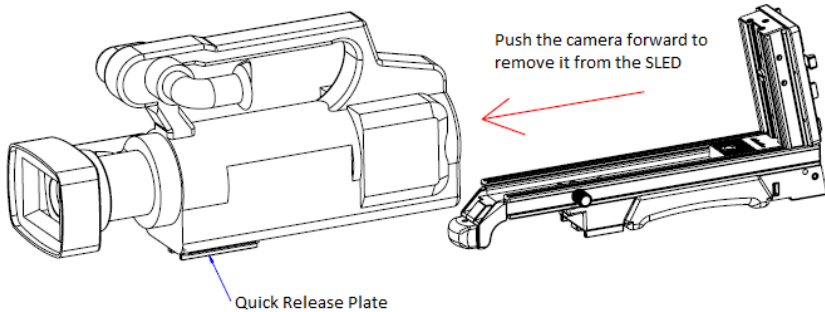
### 3. Quick Camera Removal

Follow the steps outlined below to remove the camera from SLED.



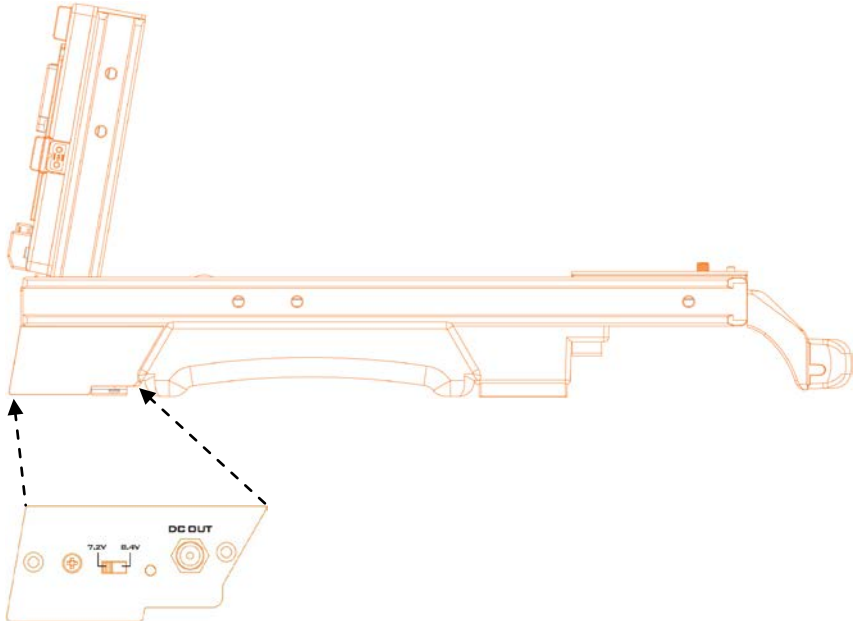
A: Loosen the rotary knob by turning it in an anti-clockwise direction.

B: Push the lock pin in the direction as shown in the diagram.



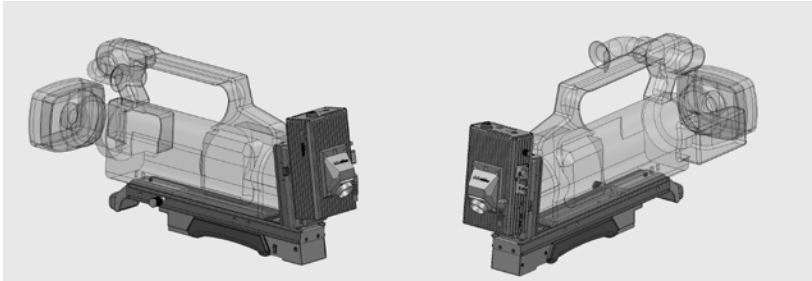
## 4. Optional Power Board

Datavideo provides an off-the-shelf power board that can be mounted to one side of the SLED as shown in the diagram below. The power board supplies DC power to Sony and Panasonic camera models with power inputs of 8.4 V and 7.2 V.



# 5. Application Diagrams

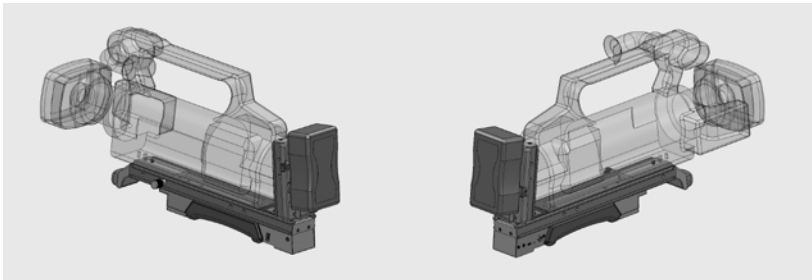
## Camera and AD-2



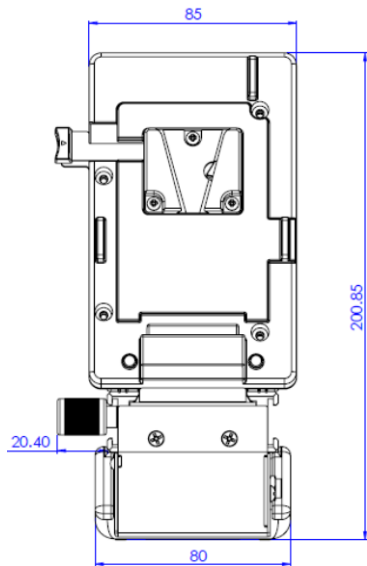
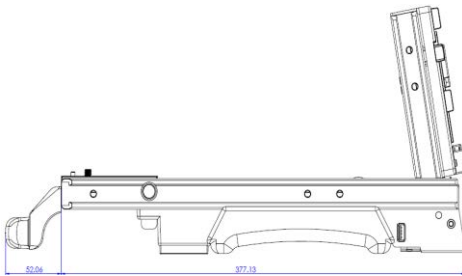
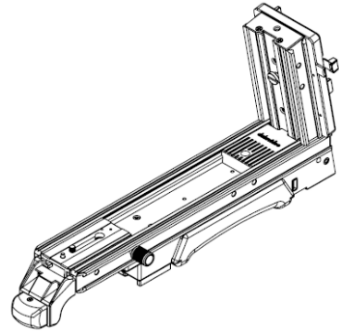
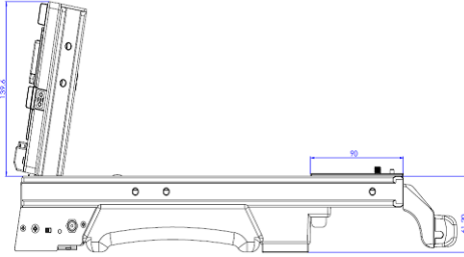
## On Tripod



## Camera and V-Mount Battery



## 6. Dimensions



## 7. Specifications

<b>Power Input</b>	V-mount battery plate
<b>Power Output</b>	D-Tap Connector
<b>Tally Light</b>	Two bi-color LED lights
<b>LED Light Power Supply</b>	USB
<b>Dimensions (mm)</b>	377.13 x 85 x 139.6
<b>Weight (kg)</b>	1.890
<b>Accessory</b>	QSG

## Service & Support

It is our goal to make owning and using Datavideo products a satisfying experience. Our support staff is available to assist you to set up and operate your system. Contact your local office for specific support requests. Plus, please visit [www.datavideo.com](http://www.datavideo.com) to access our FAQ section.

### Datavideo Taiwan

Datavideo Technologies Co. Ltd  
10F, No. 176, Jian 1st Rd., Chung Ho  
District, New Taipei City 235, Taiwan,  
R. O. C.  
Tel: +886-2-8227-2888  
Fax: +886-2-8227-2777  
E-mail: [service@datavideo.com.tw](mailto:service@datavideo.com.tw)

### Datavideo USA

Datavideo Corporation  
7048 Elmer Avenue  
Whittier, CA 90602,  
U. S. A.  
Tel: +1-562-696 2324  
Fax: +1-562-698 6930  
E-mail: [sales@datavideo.us](mailto:sales@datavideo.us)

### Datavideo Hong Kong

Datavideo Hong Kong Ltd  
G/F, 26 Cross Lane  
Wanchai, Hong Kong  
Tel: +852-2833-1981  
Fax: +852-2833-9916  
E-mail: [info@datavideo.com.hk](mailto:info@datavideo.com.hk)

### Datavideo Europe

Datavideo Technologies Europe BV  
Floridadreef 106  
3565 AM Utrecht,  
The Netherlands  
Tel: +31-30-261-96-56  
Fax: +31-30-261-96-57  
E-mail: [info@datavideo.nl](mailto:info@datavideo.nl)

### Datavideo China

Datavideo Technologies China Co  
101, NO. 618, LiuYing Rd, Zhabei District,  
Shanghai, China  
Tel: +86 21-5603 6599  
Fax: +86 21-5603 6770  
E-mail: [service@datavideo.cn](mailto:service@datavideo.cn)

### Datavideo France

Datavideo France s.a.r.l  
Cité Descartes 1, rue Albert Einstein  
Champs sur Marne  
774477-Marne-la Vallée cedex 2  
Tel: +33-1-60370246  
E-mail: [info@datavideo.fr](mailto:info@datavideo.fr)

### Datavideo United Kingdom

Datavideo UK Limited  
Units1 & 2 Waterside Business Park  
Hadfield, Glossop, Derbyshire  
SK13 1BE, UK  
Tel: +44-1457 851 000  
Fax: +44-1457 850 964  
E-mail: [sales@datavideo.co.uk](mailto:sales@datavideo.co.uk)

### Datavideo Singapore

Datavideo Technologies (S) PTE Ltd  
No. 178 Paya Lebar Road #06-03  
Singapore 409030  
Tel: +65-6749 6866  
Fax: +65-6749 3266  
E-mail: [sales@datavideo.sg](mailto:sales@datavideo.sg)

### Datavideo India

Datavideo Technologies India Pvt Ltd  
A-132, Sec-63, Noida-201307,  
Uttar Pradesh (UP), India.  
Tel: +91-0120-2427337  
Fax: +91-0120-2427338  
E-mail: [sales@datavideo.in](mailto:sales@datavideo.in)



Please refer to our website for update the latest version manual.

[www.datavideo.com/Camera+Control/SLD-1](http://www.datavideo.com/Camera+Control/SLD-1)

**datavideo**  
[www.datavideo.com](http://www.datavideo.com)

All the trademarks are the properties of their respective owners. Datavideo Technologies Co., Ltd. All rights reserved 2018

Jul.25.2016 P/N: G082060589B2