

HD/SD Switcher

SE-1000

HD/SD



Datavideo SE-1000 is a new compact, high definition and standard definition video switcher ideal for applications within Education, Worship, Live, Music videos, Cable shows, Corporate videos, Event staging and many more.

Datavideo SE-1000 features six inputs (five HD or SD SDI and one DVI-I) and three outputs (three HD or SD SDI), RS-422 control, Ethernet connectivity and a built-in, 10-bit, 6-channel frame synchronizer that adjusts automatically

To assist the producer during any live event SE-1000 also features six built in HD-SDI to HD-YUV, SD-YUV and Composite format converters enabling loop through of each input for real time monitoring during production.

Features also include nine wipe patterns and three directional wipes.

Datavideo SE-1000 will operate in all recognised SD and HD formats enabling integration with existing equipment, while at the same time being future proof.

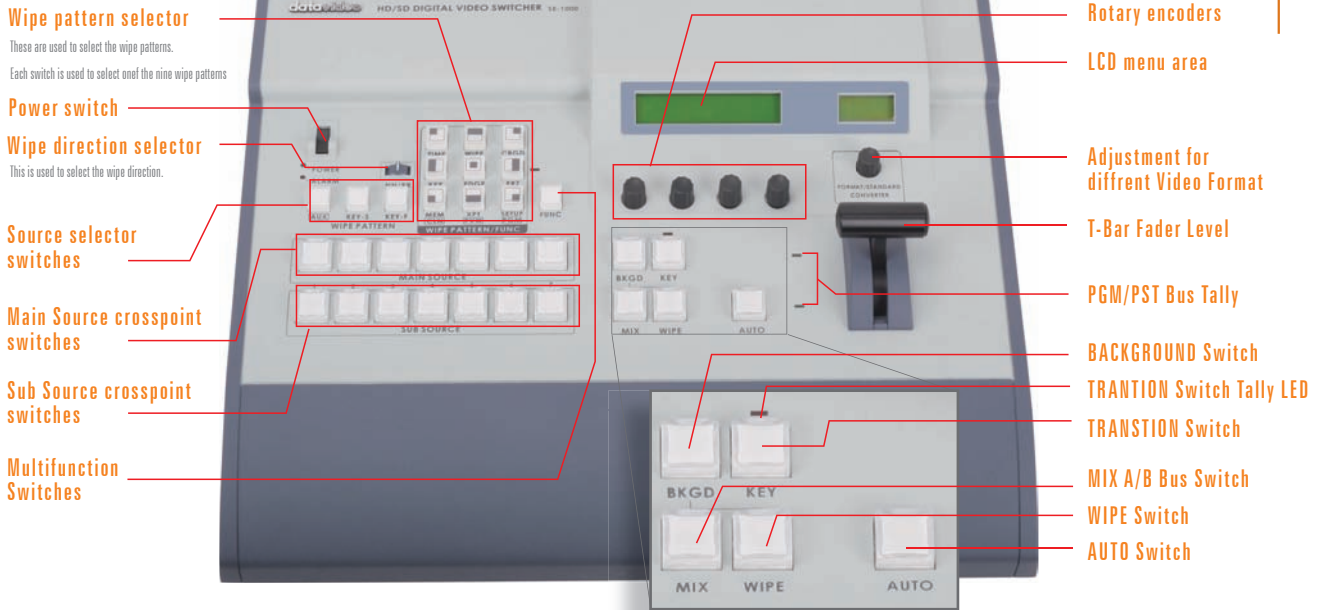
Simple operation and rugged construction allow the SE-1000 to be used in studios, in a Mobile Video Studio, on board an OB truck, in a Post Production facility, in education applications or for any application where a reliable, high quality/low cost video switcher is required.

Features

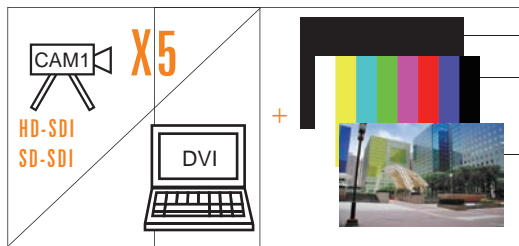
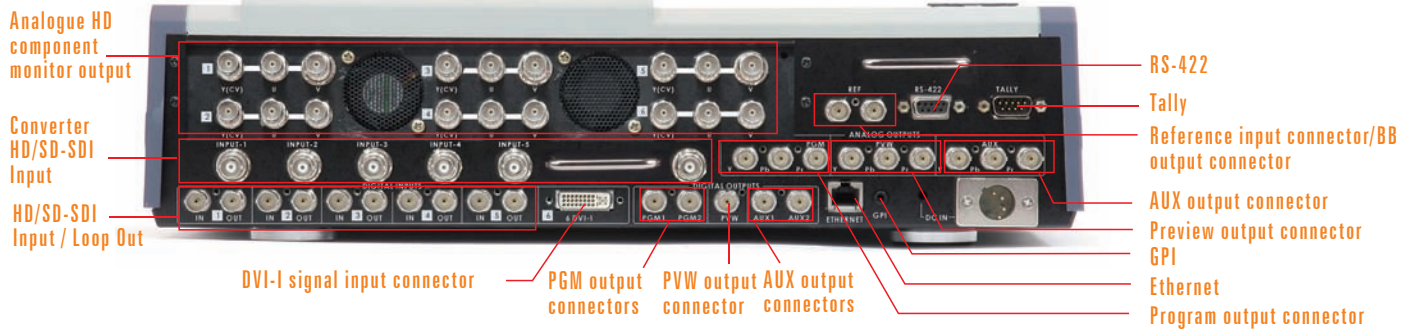
- Multi Format Compatibility
- Worldwide SD and HD formats supported in one unit. (Although not mixed formats)
SD. 480/59.94, 576/50i
HD. 1080/59.94i, 1080/50i, 720/59.94p, 720/50p
- 6 inputs (5 HD-SDI or SDI, 1 DVI-I)
- 3 SDI output and 3 HD Analogue Component Output
- 10 bit Frame Synchroniser
- Built in 10bit Frame Synchroniser enables switching without glitch or freeze even with asynchronous video signals.
- Keying - Both linear and self keying is possible as well as key invert.
- Easy Titling - Versatile titling can be achieved and enhanced by adding Datavideo CG-100 Character generator.
- Multiple Interfaces
- 6 tally outputs and an RS-422 interface enable configuration in a wide range of switching options.
- To complete the IT infrastructure the SE-1000 has a built in network interface enabling easy use of a PC to add images and graphics.
- Range of Switching Effects - The unit includes a wide range of simple to operate wipe patterns including nine wipe patterns and three directional wipes.
- 12 volt operation - 12 volt operation makes this unit ideal for outside broadcast applications, and a perfect companion for Datavideo's Mobile Video Studio Solutions

SE-1000

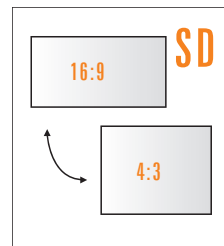
Control panel



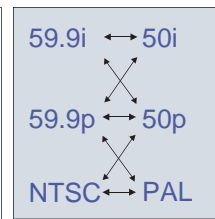
Rear panel connections



All 6 input source can be selected as key source



SD aspect conversion



Six independent video standard converters



Internal Genlock



LINEAR KEY

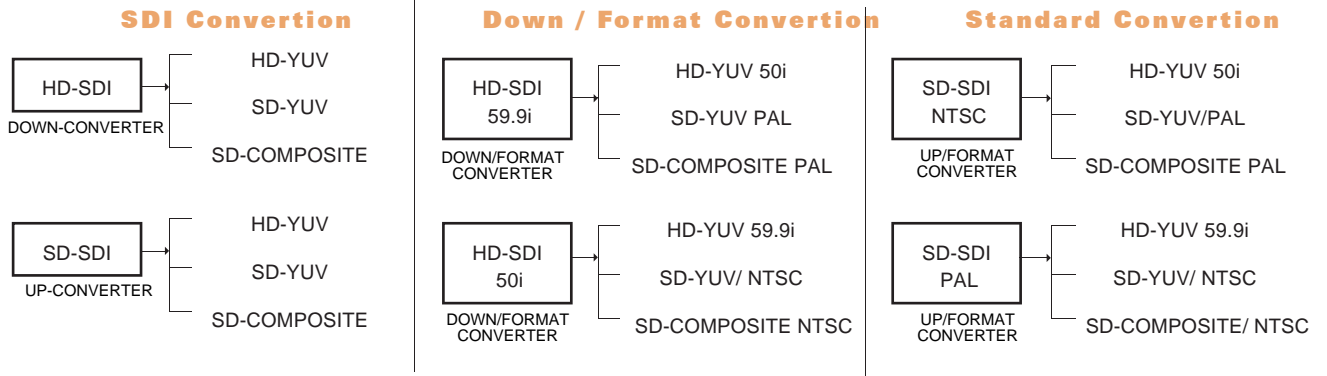


LINEAR KEY+SELF KEY

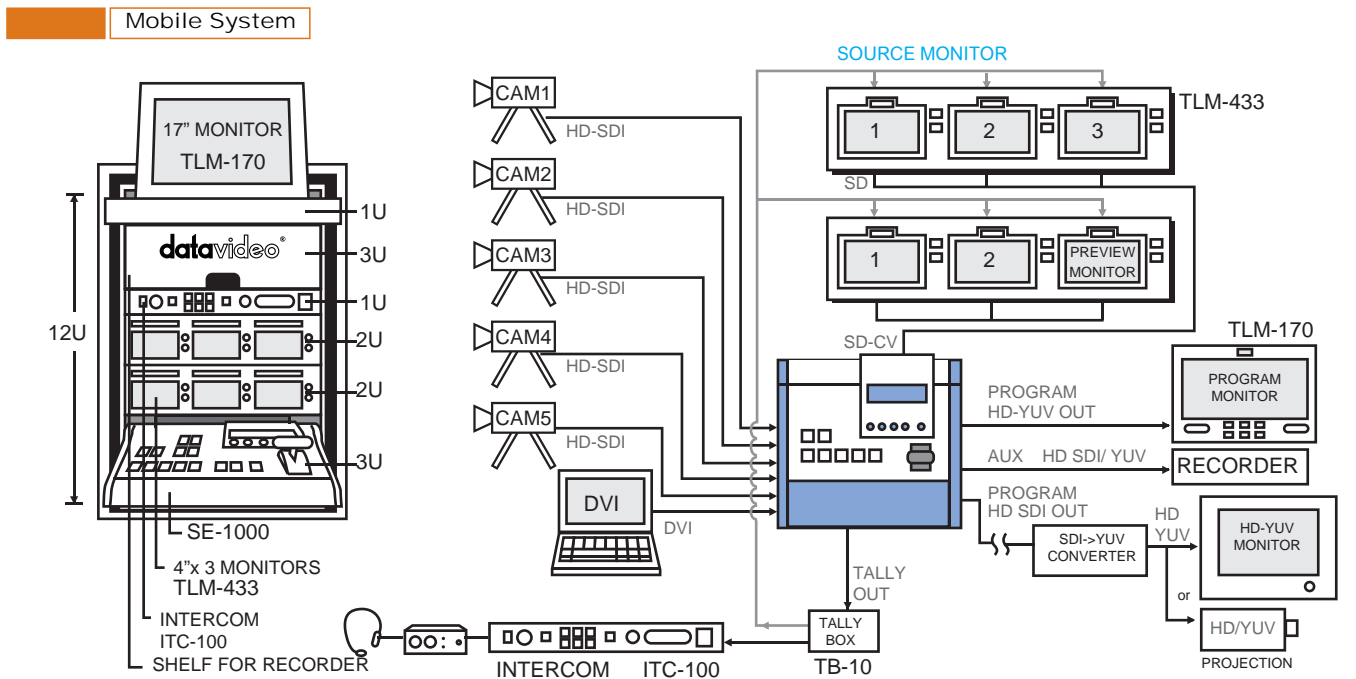
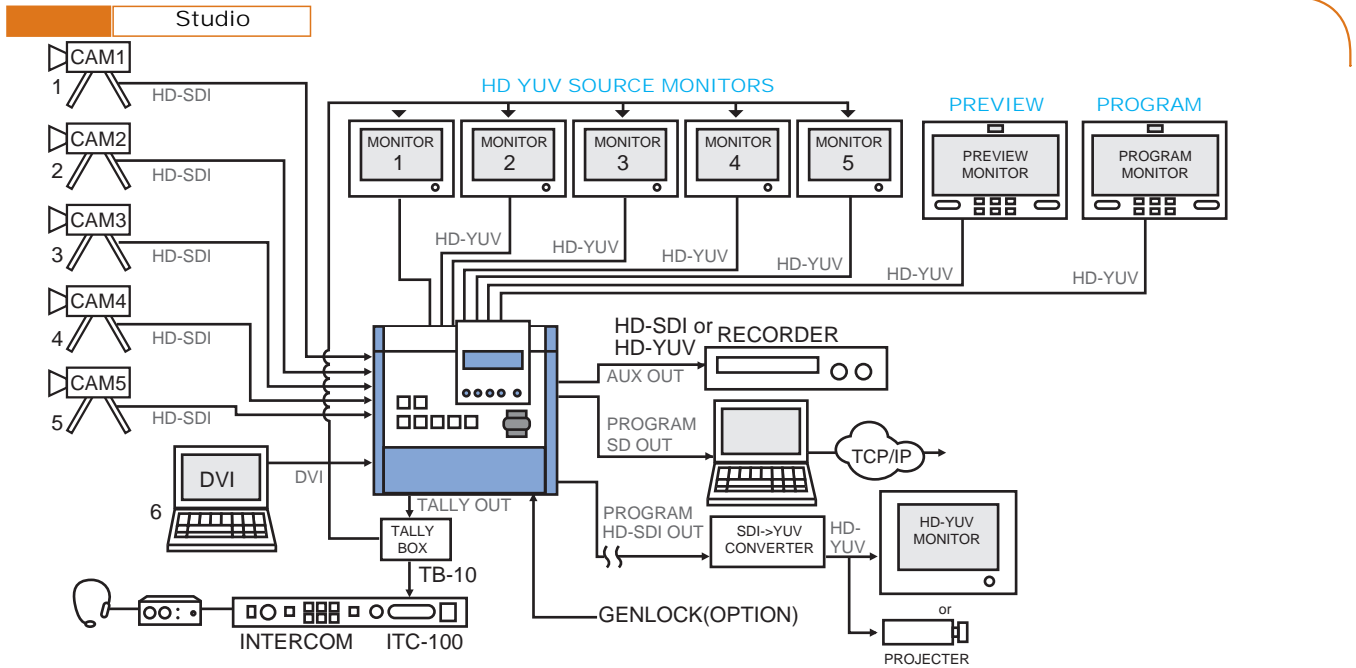


LINEAR KEY

Six independent and cross-format digital to analogue converter



Diagram



SE-1000

■ Video processing

Video format SD (480/59.94i, 576/50i), HD (1080/59.94i, 1080/50i, 720/59.94p, 720/50p)
Y:Cb:Cr, 4:2:2 10 bit RGB, 4:4:4 8 bit

■ SDI/HD-SDI Specifications

Standard SMPTE 259M-C (270 Mbps, 525/625 component video) and SMPTE 292M (1.485, 1.485/1.001 Gbps)
Connector BNC (IEC169-8)
Impedance 75 ohms
Return Loss HD >15dB(5 MHz to 750 MHz), >10dB(750 MHz to 1.5 GHz)
SD >15dB(5 MHz to 270 MHz)
Equalization 265 m Belden 8281 cable at 270 Mbps; 135 m (typical) of Belden 1694A at 1.485 Gbps

■ Source Inputs

HD/SD-SDI 5 inputs (with active through output)
RGB DV1-1 x 1 (SXGA 1280x1024, XGA 1024x768(60 Hz)
Key 1 input from video inputs.
Reference Black burst/TRI (Loop through) x 1

■ Main Outputs

SDI 3 outputs (PGM x 2, PVW x 1, AUX x 2)
HD Analogue 3 outputs (Y, Pb, Pr: HD only) Component
Reference Loop through x 1 (Gen-lock) / Black burst x 2 (Internal synchronization)
Black burst/TRI (Loop through) x 1

■ Effects

Transition Cut, Mix, Wipe (9 patterns, 3 directions)
Key synthesis Self key, Linear key

■ Interface

Ethernet 100 Mbps / 10 Mbps x 1
Serial (EDITOR) D-sub 9pin x 1 : RS422A
Tally output D-sub 9pin x 1:6 ch, open collector output
GPI 1 (Auto take)

■ HD/SD Cross Converter

Inputs 6 SDI/HD-SDI
Outputs 6 HD-YUV, YUV, Composite video
Input Formats SD (480/59.94i, 576/50i), HD (1080/59.94i, 1080/50i, 720/59.94p, 720/50p) – Auto Detect
Output Formats SD (480/59.94i, 576/50i), HD-YUV (1080/59.94i, 1080/50i, 720/59.94p, 720/50p)
Aspect Converter Input SD 16:9 or 4:3
Output SD 16:9 or 4:3
Video Correction Brightness, Colour and Tint (Tint NTSC only)
IRE 0/7.5IRE – Options

■ Operating temperature

0 °C to +40 °C

■ Humidity

10% to 90% (non condensing)

■ Power

DC 12 V / 10 A

■ Dimensions (WxHxD)

426mm(16.8") x 119mm(4.7") x

■ Weight

368mm(14.5")
Approx. 5.5 kg/ 13.8 lbs

■ Specification in this document is subject to change without notice due to continual improvements.

Accessories



TLM-433

Monitor bank of 3 x 4Inch TFT LCD monitors



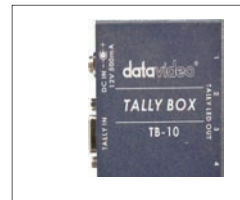
TLM-170

17-inch TFT LCD screen monitors



ITC-100

8-channel Intercom



TB-10

Tally box



CB-10

3 m HD/SD YUV Cable



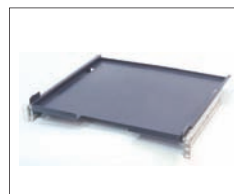
CB-9

1.8m DVI Cable



RP-19

19 Inch tray designed to hold Recorders



RP-20

19 Inch sliding tray for SE-1000



TLM-433JF

Monitor & Intercom holder

Datavideo Reseller / Distributor