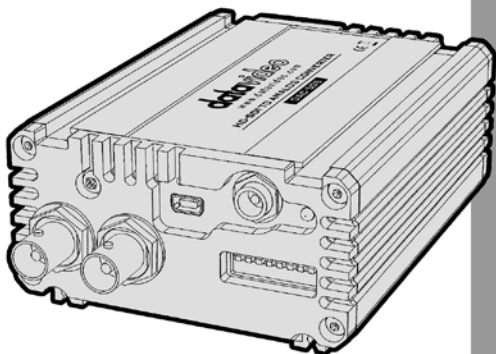


# datavideo



## HD-SDI TO ANALOG CONVERTER DAC-50S

## Instruction Manual

[www.datavideo.com](http://www.datavideo.com)

# Table of Contents

<b>WARNINGS AND PRECAUTIONS</b> .....	<b>3</b>
<b>WARRANTY</b> .....	<b>4</b>
STANDARD WARRANTY .....	4
TWO YEAR WARRANTY .....	4
<b>DISPOSAL</b> .....	<b>5</b>
<b>1. INTRODUCTION</b> .....	<b>6</b>
FEATURES .....	6
<b>2. CONNECTIONS &amp; CONTROLS</b> .....	<b>7</b>
REAR PANEL .....	7
FRONT PANEL .....	9
<b>3. FIRMWARE UPDATE</b> .....	<b>11</b>
HOST UPDATE .....	11
FPGA UPDATE .....	12
<b>4. FREQUENTLY-ASKED QUESTIONS</b> .....	<b>14</b>
<b>5. DIMENSIONS</b> .....	<b>14</b>
<b>6. SPECIFICATIONS</b> .....	<b>15</b>
<b>SERVICE &amp; SUPPORT</b> .....	<b>16</b>

## Disclaimer of Product and Services

The information offered in this instruction manual is intended as a guide only. At all times, Datavideo Technologies will try to give correct, complete and suitable information. However, Datavideo Technologies cannot exclude that some information in this manual, from time to time, may not be correct or may be incomplete. This manual may contain typing errors, omissions or incorrect information. Datavideo Technologies always recommend that you double check the information in this document for accuracy before making any purchase decision or using the product. Datavideo Technologies is not responsible for any omissions or errors, or for any subsequent loss or damage caused by using the information contained within this manual. Further advice on the content of this manual or on the product can be obtained by contacting your local Datavideo Office or dealer.



## Warnings and Precautions

1. Read all of these warnings and save them for later reference.
2. Follow all warnings and instructions marked on this unit.
3. Unplug this unit from the wall outlet before cleaning. Do not use liquid or aerosol cleaners. Use a damp cloth for cleaning.
4. Do not use this unit in or near water.
5. Do not place this unit on an unstable cart, stand, or table. The unit may fall, causing serious damage.
6. Slots and openings on the cabinet top, back, and bottom are provided for ventilation. To ensure safe and reliable operation of this unit, and to protect it from overheating, do not block or cover these openings. Do not place this unit on a bed, sofa, rug, or similar surface, as the ventilation openings on the bottom of the cabinet will be blocked. This unit should never be placed near or over a heat register or radiator. This unit should not be placed in a built-in installation unless proper ventilation is provided.
7. This product should only be operated from the type of power source indicated on the marking label of the AC adapter. If you are not sure of the type of power available, consult your Datavideo dealer or your local power company.
8. Do not allow anything to rest on the power cord. Do not locate this unit where the power cord will be walked on, rolled over, or otherwise stressed.
9. If an extension cord must be used with this unit, make sure that the total of the ampere ratings on the products plugged into the extension cord do not exceed the extension cord's rating.
10. Make sure that the total amperes of all the units that are plugged into a single wall outlet do not exceed 15 amperes.
11. Never push objects of any kind into this unit through the cabinet ventilation slots, as they may touch dangerous voltage points or short out parts that could result in risk of fire or electric shock. Never spill liquid of any kind onto or into this unit.
12. Except as specifically explained elsewhere in this manual, do not attempt to service this product yourself. Opening or removing covers that are marked "Do Not Remove" may expose you to dangerous voltage points or other risks, and will void your warranty. Refer all service issues to qualified service personnel.
13. Unplug this product from the wall outlet and refer to qualified service personnel under the following conditions:

- a. When the power cord is damaged or frayed;
- b. When liquid has spilled into the unit;
- c. When the product has been exposed to rain or water;
- d. When the product does not operate normally under normal operating conditions. Adjust only those controls that are covered by the operating instructions in this manual; improper adjustment of other controls may result in damage to the unit and may often require extensive work by a qualified technician to restore the unit to normal operation;
- e. When the product has been dropped or the cabinet has been damaged;
- f. When the product exhibits a distinct change in performance, indicating a need for service.

## **Warranty**

### **Standard Warranty**

- Datavideo equipment is guaranteed against any manufacturing defects for one year from the date of purchase.
- The original purchase invoice or other documentary evidence should be supplied at the time of any request for repair under warranty.
- Damage caused by accident, misuse, unauthorized repairs, sand, grit or water is not covered by this warranty.
- All mail or transportation costs including insurance are at the expense of the owner.
- All other claims of any nature are not covered.
- Cables & batteries are not covered under warranty.
- Warranty only valid within the country or region of purchase.
- Your statutory rights are not affected.

### **Two Year Warranty**

- All Datavideo products purchased after 01-Oct.-2008 qualify for a free one year extension to the standard Warranty, providing the product is registered with Datavideo within 30 days of purchase. For information on how to register please visit [www.datavideo.com](http://www.datavideo.com) or contact your local Datavideo office or authorized Distributors

- Certain parts with limited lifetime expectancy such as LCD Panels, DVD Drives and Hard Drives are only covered for the first 10,000 hours, or 1 year (whichever comes first).

Any second year warranty claims must be made to your local Datavideo office or one of its authorized Distributors before the extended warranty expires.

## Disposal



### **For EU Customers only - WEEE Marking**

This symbol on the product indicates that it should not be treated as household waste. It must be handed over to the applicable take-back scheme for the recycling of Waste Electrical and Electronic Equipment. For more detailed information about the recycling of this product, please contact your local Datavideo office.

## 1. Introduction

The DAC-50S converts the digital HD/SD-SDI video input to one of the following analog output combinations:

- one component (YUV) output + one composite (CV) output;
- one S-Video (Y/C) output + two composite (CV) outputs,

with both of which paired with two analog audio outputs (R and L). The outputs can be easily connected to analog video monitor or deck devices such as BataCAM and VHS. The DAC-50S is also able to scale down the signal to connect analog output ports to SD analog equipment.

The DAC-50S provides an SDI Loop-thru output, which makes it suitable for more different applications. It further outputs one pair of analog audio channels selected from 16 de-embedded SDI audio channels (Selection is determined by DIP switch settings).

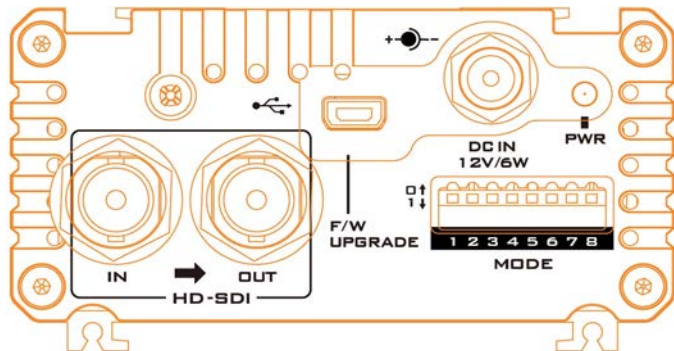
The DAC-50S is housed in a rugged aluminum frame, making it durable enough to endure even in the roughest conditions. It is also suitable for 2U rack mount kit of RMK-2 on standard rack, and fits the battery holder of MB-4.




## Features

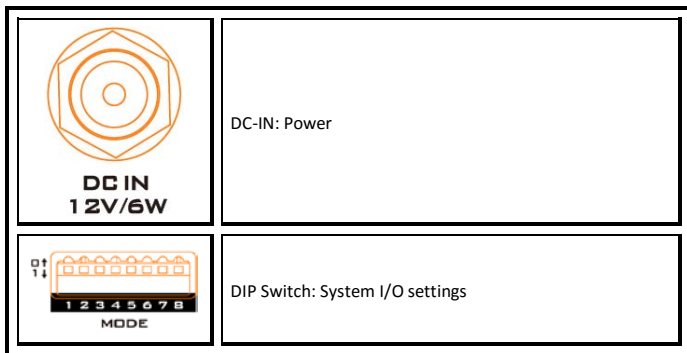
- Converts 3G/HD/SD-SDI input to analog video and 2 unbalance analog audio channels
- Two available output combinations:
  - one analog component (YUV) output + one composite (CV) output
  - one analog S-Video (Y/C) output + two composite (CV) outputs
- Supports NTSC / PAL output
- Define de-embedded audio channels sent to analog audio outputs via a DIP switch
- Solid aluminum housing that fits the 2U rack mount kit of RMK-2 and battery holder of MB-4

## 2. Connections & Controls

### Rear Panel

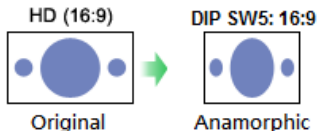


 <p>IN</p>	HD/SD-SDI Input: Connects to an HD-SDI input source
 <p>OUT</p>	HD/SD-SDI Output: HD-SDI loop-thru output
 <p>USB</p>	USB: Connects to any USB drive

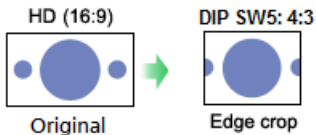


DIP Switch Setting			DIP SW1	DIP SW2	DIP SW3	SDI Audio De-Embed
1	SDI Audio De-Embed		0	0	0	CH1&CH2
2			0	0	1	CH3&CH4
3			0	1	0	CH5&CH6
4	7.5 IRE	0 IRE	0	1	1	CH7&CH8
5	16:9	4:3	1	0	0	CH9&CH10
6	YUV+CV OUT	Y/C+2xCV OUT	1	0	1	CH11&CH12
7	SMPTE	EBU	1	1	0	CH13&CH14
8	Normal Operation	Firmware Upgrade	1	1	1	CH15&CH16

**NOTE:** Given a 16:9 HD video input, if DIP SW5 is set to 16:9, the image displayed on a 4:3 TV monitor will be anamorphic, i.e. the image will be compressed laterally. However, if DIP SW5 is set to 4:3, the image displayed on a 4:3 TV monitor will become edge-cropped, i.e. the left and right of the image will be partially cut off. The diagram below provides an illustration of the above.

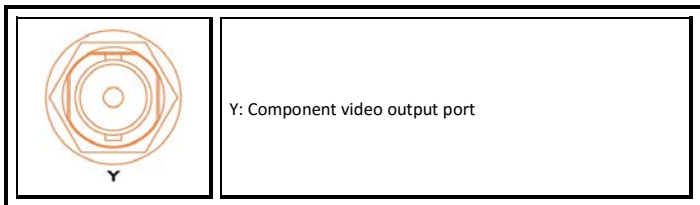
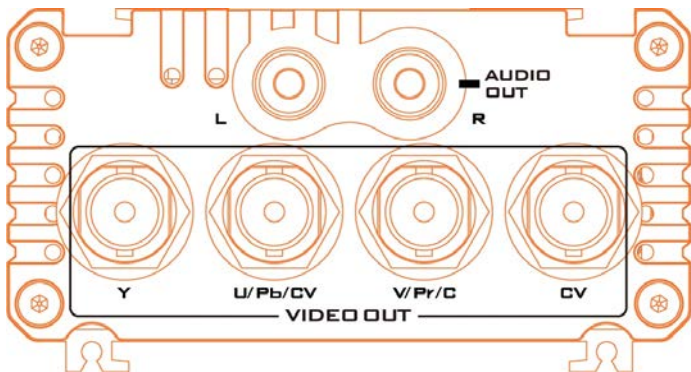






For an SD video input, if the input resolution is 16:9, set DIP SW5 to 16:9; if the input resolution is 4:3, set DIP SW5 to 4:3.

## Front Panel





**U/Pb/CV**

U/Pb/CV: Component or Composite video output port



**V/Pr/C**

V/Pr/C: Component video output port



**CV**

CV: Composite video output port



Audio OUT: SDI audio de-embed

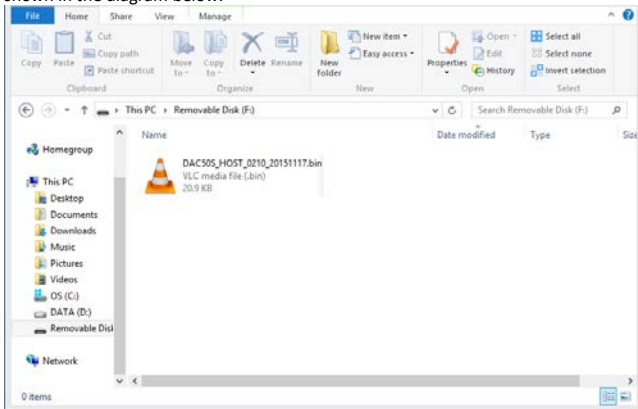
### 3. Firmware Update

From time to time, Datavideo may release new firmware to either add new features or to fix reported bugs in the current DAC-50S firmware. Customers can update the firmware themselves if they wish or they can contact their local dealer or reseller for assistance should they prefer this method.

This section describes the firmware update process. Once started, ***the update process should not be interrupted in any way*** as this could result in a non-responsive unit.

### Host Update

1. Set DIP SW8 to ON
2. Connect DAC-50S to the PC using USB cable (DAC-50S is powered by USB port so external power source is not required)
3. USB device connection prompt will appear on the PC screen (DAC-50S USB) as shown in the diagram below.



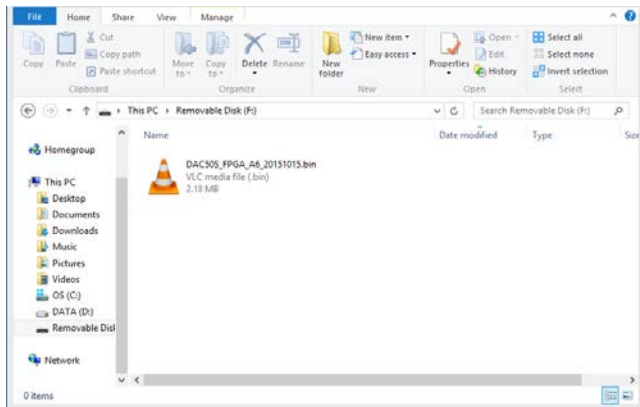
4. Copy the new firmware.bin and replace the file in the USB device.
5. Safely remove the USB device (VP733 Datavideo Tech USB Device) as shown in the diagram below.



6. Update is complete; unplug the USB cable and set DIP SW8 to OFF.

## FPGA Update

1. Set DIP SW7 / SW8 to ON.
2. Connect the power to the device.
3. Use the mini-USB cable to connect the device to the computer, which will automatically detect the device.



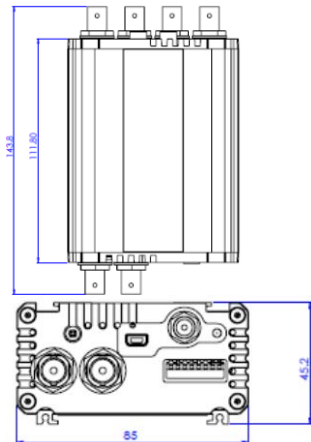
4. Open the device drive.
5. Delete the existing file and copy the latest FPGA firmware file into the device.
6. The firmware update will now start, which takes approximately 2 minutes.
7. After the firmware file is successfully copied into the device, safely remove the USB device.
8. Set DIP SW7 / SW8 to OFF to complete the update.

## 4. Frequently-Asked Questions

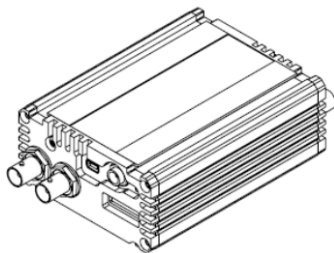
This section describes problems that you may encounter while using DAC-50S. If you have questions, please refer to related sections and follow all the suggested solutions. If problem still exists, please contact your distributor or the service center.

No.	Problems	Solutions
1.	Very bad color bar noise is seen on the DAC-50S output terminal if the SDI-IN source is a 100% color bar.	DAC-50S does not support 100% color bar and downgrading it to 75% will solve this issue.

## 5. Dimensions



All measurements in millimeters (mm)



## 6. Specifications

<b>Input Interface</b>	HD/SD-SDI x 1 (BNC)
<b>Output Interface</b>	Component YPbPr x 3 (BNC) Composite x 2 (one is the same connector as U/Pb) (BNC) S-Video Y/C x 2 (the same connector as Y and V/Pr) (BNC) Audio L/R x 2 (RCA) HD-SDI loop-through x 1 (BNC)
<b>Input Format</b>	1080p 50/59.94 Hz 1080i 50/59.94 Hz 720p 50/59.94 Hz NTSC 525/29.97, PAL 625/25
<b>Output Format</b>	625/25 PAL, 525/29.97 NTSC
<b>F/W Upgrade</b>	mini USB x 1
<b>DIP Switches</b>	8-PIN DIP Switch 1: SDI audio de-embed 2: SDI audio de-embed 3: SDI audio de-embed 4: IRE (7.5 IRE & 0 IRE) 5: Aspect Ratio (16:9 & 4:3) 6: Video Output (YUV + CV OUT or Y/C + TWO CV OUT) 7. Audio Level (SMPTE & EBU) 8. Firmware Upgrade
<b>Power</b>	Output DC 12V / 0.5A (6W)
<b>Dimensions</b>	143.8 x 85 x 45.2 mm
<b>Weight</b>	461.3 g

# Service & Support

It is our goal to make your products ownership a satisfying experience. Our supporting staff is available to assist you in setting up and operating your system. Please refer to our web site [www.datavideo.com](http://www.datavideo.com) for answers to common questions, support requests or contact your local office below.

## **Datavideo Taiwan**

Datavideo Technologies Co. Ltd  
10F, No. 176, Jian 1st Rd., Chung Ho  
District, New Taipei City 235, Taiwan,  
R. O. C.  
Tel: +886-2-8227-2888  
Fax: +886-2-8227-2777  
E-mail: [service@datavideo.com.tw](mailto:service@datavideo.com.tw)

## **Datavideo USA**

Datavideo Corporation  
7048 Elmer Avenue,  
Whittier, CA 90602,  
U.S.A.  
Tel: +1-562-696 2324  
Fax: +1-562-698 6930  
E-mail: [sales@datavideo.us](mailto:sales@datavideo.us)

## **Datavideo Hong Kong**

Datavideo Hong Kong Ltd  
G/F., 26 Cross Lane  
Wanchai, Hong Kong  
Tel: +852-2833-1981  
Fax: +852-2833-9916  
E-mail: [info@datavideo.com.hk](mailto:info@datavideo.com.hk)

## **Datavideo Europe**

Datavideo Technologies Europe BV  
Floridadreef 106  
3565 AM Utrecht,  
The Netherlands  
Tel: +31-30-261-96-56  
Fax: +31-30-261-96-57  
E-mail: [info@datavideo.nl](mailto:info@datavideo.nl)

## **Datavideo China**

Datavideo Technologies China Co  
101, NO. 818, LiuYing Rd. Zhabei District,  
Shanghai, China  
Tel: +86 21-5603 6599  
Fax: +86 21-5603 6770  
E-mail: [service@datavideo.cn](mailto:service@datavideo.cn)

## **Datavideo France**

Datavideo France s.a.r.l  
Cité Descartes 1, rue Albert Einstein  
Champs sur Marne  
774477-Marne la Vallée cedex 2  
Tel: +33-1-60370246  
E-mail: [info@datavideo.fr](mailto:info@datavideo.fr)

## **Datavideo United Kingdom**

Datavideo UK Limited  
Units 1 & 2 Waterside Business Park  
Hadfield, Glossop, Derbyshire  
SK13 1BE, UK  
Tel: +44-1457 851 000  
Fax: +44-1457 850 964  
E-mail: [sales@datavideo.co.uk](mailto:sales@datavideo.co.uk)

## **Datavideo Singapore**

Datavideo Technologies (S) PTE Ltd  
No. 178 Paya Lebar Road #06-03  
Singapore 409030  
Tel: +65-6749 6886  
Fax: +65-6749 3286  
E-mail: [sales@datavideo.sg](mailto:sales@datavideo.sg)

## **Datavideo India**

Datavideo Technologies India Pvt L  
A-132, Sec-63, Noida-201307,  
Uttar Pradesh (UP), India.  
Tel: +91-0120-2427337  
Fax: +91-0120-2427338  
E-mail: [sales@datavideo.in](mailto:sales@datavideo.in)



Please refer to our website for update the latest version manual.

[www.datavideo.com/Converters/DAC-50S](http://www.datavideo.com/Converters/DAC-50S)

**datavideo**  
www.datavideo.com

All the trademarks are the properties of their respective owners.  
Datavideo Technologies Co., Ltd. All rights reserved 2018

May-18-2016 P/N: G082060733B2