

Canon

YJ20x8.5B KRS



*The Evolution of
an Industry Standard*

IFpro ~~S~~HUTTLE~~S~~HOT



The Evolution of an Industry Standard

YJ20x8.5B KRS



Canon is proud to introduce the YJ20x8.5B, which has emerged from Canon's top selling YJ19x9B, also known as the Pro-Video Industry Standard Lens. The YJ20x8.5B tops many Pro-video standard lenses by offering the widest focal length (8.5mm), the highest zoom ratio (20x), and the fastest zoom speed (1.2 sec from wide end to tele end). In addition to having Canon's innovative Internal Focus (IF) Technology and exclusive Shuttle Shot Function, its new ergonomically designed drive unit accounts for its ideal balance and comfort.

Additional Features <Optical Performance>

High and Flat MTF

- Achieves a higher MTF by increasing the resolution at the edges and corners of a picture.

Reduced Chromatic Aberrations

- Although chromatic aberration and distortion are common as a result of front lens movement, they have been greatly reduced.

Square Hood

- Effectively eliminates ghosting and flare.

Creative Filter Work

- Re-indexing is no longer necessary due to the filter attaching to the front of the lens and therefore remaining stationary.

Lightweight Design 1.17kg(2.58lbs)

- 160g lighter compared to the YJ19x

Compact Design

- 5mm shorter compared to the YJ19x

Minimum Focal Length of 8.5mm at Wide End

- The widest among the Standard Pro-Video lenses.

Short Minimum Object Distance-0.9m

Enhanced Macro Function

- Allows from the lens front an M.O.D. of 10mm.



IF Technology

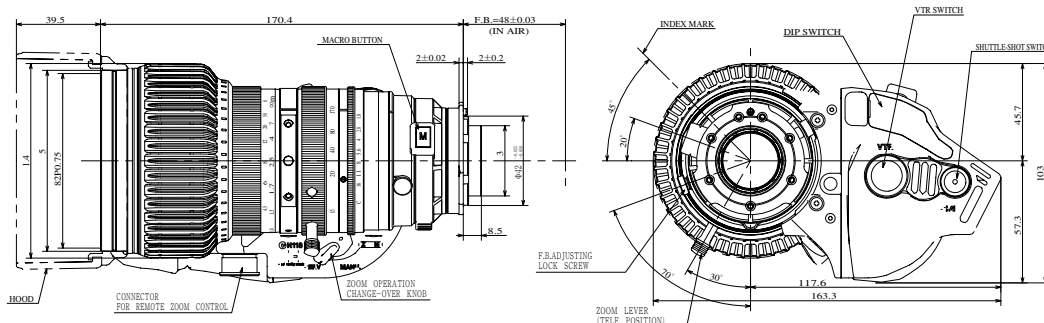
Pro-Video camera people can take advantage of Canon's breakthrough technology that broadcasters have enjoyed for years-Internal Focus (IF).

Internal Focus technology was pioneered by Canon and first introduced into their Broadcast ENG lenses. It has since become the industry-standard. Internal Focus is a system where the front end of the lens remains stationary and does not rotate. Only internal elements move when focusing.

Internal Focus enhances optical performance and provides several user benefits:

- IF improves chromatic aberrations, thus increasing resolution.
- IF is not sensitive to change in object distances.
- IF decreases flare by use of square hood.
- IF enables a higher level of creative filter work.
- Even heavy optical accessories attached at the end of the Lens does not affect the focusing operation.

DIMENSIONS



Additional Features <Servo & Mechanical Performance>

- **Maximum Zoom Speed 1.2 sec from wide end to tele end.**



DIP Switch

- **Shuttle Shot Switch**

The Shuttle Shot function ON/OFF switch can also be allocated to either the VTR or RET switches by means of a DIP switch.

- **Ribbed Surface**

The ribbed surface on the bottom of the Drive Unit provides better handling control.

- **New Ergonomic Drive Unit**

The new ergonomically designed Drive Unit achieves an ideal balance and comfort by having it tilt to an angle. In addition, the size of the unit has been minimized to comfortably fit in the palm of the hand. Overall, it improves the feeling of unity between the user and the lens.

- **Grip Support**

Allows a user to securely grip the Drive Unit without pressing on the VTR or Shuttle Shot buttons.

SHUTTLE SHOT TECHNOLOGY

SHUTTLE SHOT

Canon's unique technology allows the lens to zoom back and forth between any two positions at the touch of a button.



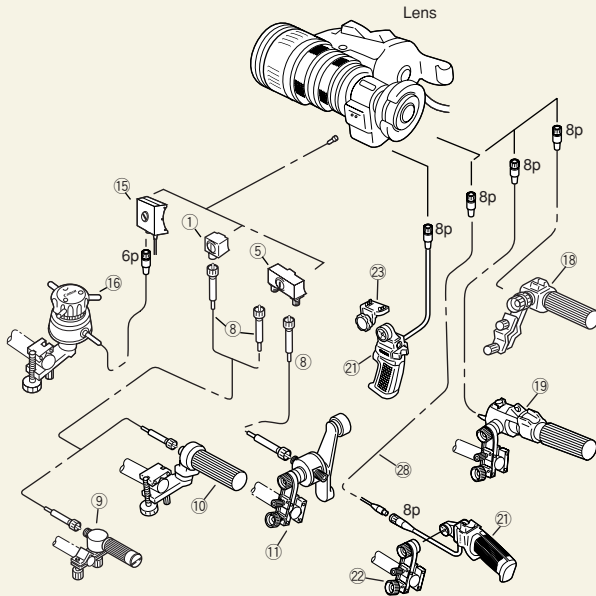
Shuttle Shot is a Canon Exclusive Technology that enhances production capabilities. At the touch of a button, this feature allows the operator to zoom back and forth instantly between any two positions. It can be used to zoom to the telephoto position to check focus and then return instantly to the original position or you can "shuttle" between any two-zoom positions at any time. Shuttle Shot adds even more to the Pro-Video standard lens.

SPECIFICATIONS

YJ20x8.5B KRS

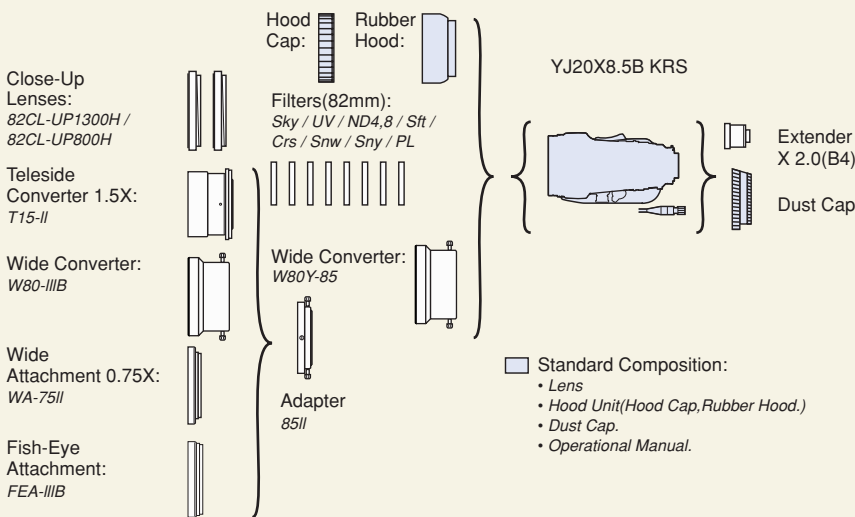
Zoom Ratio	20X	
Range of Focal Length	8.5 - 170mm	
Maximum Relative Aperture	1:1.8 at 8.5-113.3mm 1:2.7 at 170mm	
Angular Field of View	4:3 Aspect ratio (8.8X6.6mm) 54.7°x42.4° at 8.5mm 3.0°x2.2° at 170mm	16:9 Aspect Ratio (9.6X5.4mm) 58.8°x35.2° at 8.5mm 3.2°x1.8° at 170mm
Minimum object Distance (M.O.D.)	0.9m (10mm with Macro)	
Object Dimensions at M.O.D.	4:3 Aspect ratio (8.8X6.6mm) 85.2 x 63.9cm at 8.5mm 4.4 x 3.3cm at 170mm	16:9 Aspect Ratio (9.6X5.4mm) 92.5 x 52.0cm at 8.5mm 4.8 x 2.7cm at 170mm
Approx. Size	W x H x L = 163.3 x 103.0 x 170.4mm	
Approx. Mass	1.17kg (2.58lbs)	

LENS CONTROLLERS



#	Unit	Description	CODE
①	FM-12	Flex Focus Module	1824A012
⑤	FM-70	Flex Dual Module	0002T071
⑧	FC-40	Flex Cable	1824A010
⑨	FFC-15	Flex Focus Controller	1824A024
⑩	FFC-200	Flex Focus Controller	1824A014
⑪	FZC-100	Flex Zoom Controller	1824A021
⑮	FPM-77	Focus Positional Servo Module	1824A020
⑯	FPD-400	Focus Positional Demand	1824A018
⑱	ZSD-15M II	Zoom Demand	1824A071
⑲	ZSD-300M	Zoom Demand	1824A067
⑳	ZSG-200M	Zoom Servo Grip	1824A069
㉒	CR-10	Clamper	1824A007
㉓	GA-70	Grip Adapter	0018T531
㉔	EC-80	Zoom Extension Cable (8P)	1824A009

OPTICAL ACCESSORIES



MODEL	CODE
82CL-UP800H	1823A041
82CL-UP1300H	1823A042
Teleside Con T15-II	1823A005
Wide Con W80-III B	1823A006
Wide Attach WA-75II	1823A008
Fish-Eye FEA-III B	1823A011
Adaptor85II	1824A002
UV / 82mm	1823A030
Sky / 82mm	1823A031
CrS / 82mm	1823A032
Sny / 82mm	1823A033
Snw / 82mm	1823A034
ND4 / 82mm	1823A035
ND8 / 82mm	1823A036
Sft / 82mm	1823A037
PL / 82mm	1823A038
W80Y-85	1823A009

North & South America

Canon U.S.A., Inc.
Broadcast and Communications Div. (Headquarters)
65 Challenger Road, Ridgefield Park, NJ 07660
Tel:(201)807-3300 / (800)321-4388
Fax:(201)807-3333
Email:bctv@cusa.canon.com
http://www.canonbroadcast.com/

Chicago

100 Park Blvd, Itasca, IL 60143
Tel:(630)250-6236 Fax:(630)250-0399

Atlanta

5625 Oakbrook Pkwy, Norcross, GA 30093
Tel:(770)849-7890 Fax:(770)849-7888

Los Angeles

15955 Alton Parkway Irvine, CA 92618
Tel:(949)753-4330 Fax:(949)753-4337

Dallas

3200 Regent Blvd, Irving, TX 75063
Tel:(972)409-8871 Fax:(972)409-8869

Latin America

Tel:(954)349-6975 Fax:(201)807-3333

Canada

Canon Canada, Inc.
Broadcast and Communications Div.
6390 Dixie Road
Mississauga, Ontario, L5T 1P7, Canada
Tel:(905)795-2012 Fax:(905)795-2140

Europe/Africa/Middle East

Canon Europa N.V.
Broadcast and Communications Div.
Bovenkerkerweg 59-61
1185 XB Amstelveen
Tel:+31(0)20-5458905 Fax:+31(0)20-5458203
Email:tvprod@canon-europe.com
http://www.canon-europe.com/tv-products

Australia

Canon Australia Pty. Ltd.
Optical Products Division
1 Thomas Holt Drive, North Ryde, NSW 2113, Australia
Tel:+61(0)2-9805-2000 Fax:+61(0)2-9805-2444

China

Canon (China) Co., Ltd.
Optical Products Division
15F South Tower, Beijing Kerry Center, 1 Guang Hua Road,
Chao Yang District, 100020, Beijing, China
Tel:(010)8529-8488 ex 133 Fax:(010)8529-6606
http://www.canon.com.cn

Asia/Japan

Canon Inc.(Broadcast Equipment Group)
23-10, Kiyohara-Kogyo-Danchi, Utsunomiya-shi,
Tochigi-ken, 321-3298, Japan
Tel:+81(0)28-667-8669 Fax:+81(0)28-667-8672
http://www.canon.com/bctv/