

1072 ARROW^x 3 FLUID HEAD



CAD rendered image

THE LIGHTWEIGHT 100mm CHOICE FOR ENG

Following in the tradition and reputation of the world-renowned Arrow series, the all-new Arrow^x 3 sets new dimensions in professional camera support augmenting the power of expression of creative professionals.

Featuring a wide payload range, precision fluid drag and Miller's innovative 16 position CB Plus™ counterbalance system, Arrow^x 3 delivers the flexibility, speed of set up and accuracy of shot, professionals expect and demand from Miller's 62 years of experience.

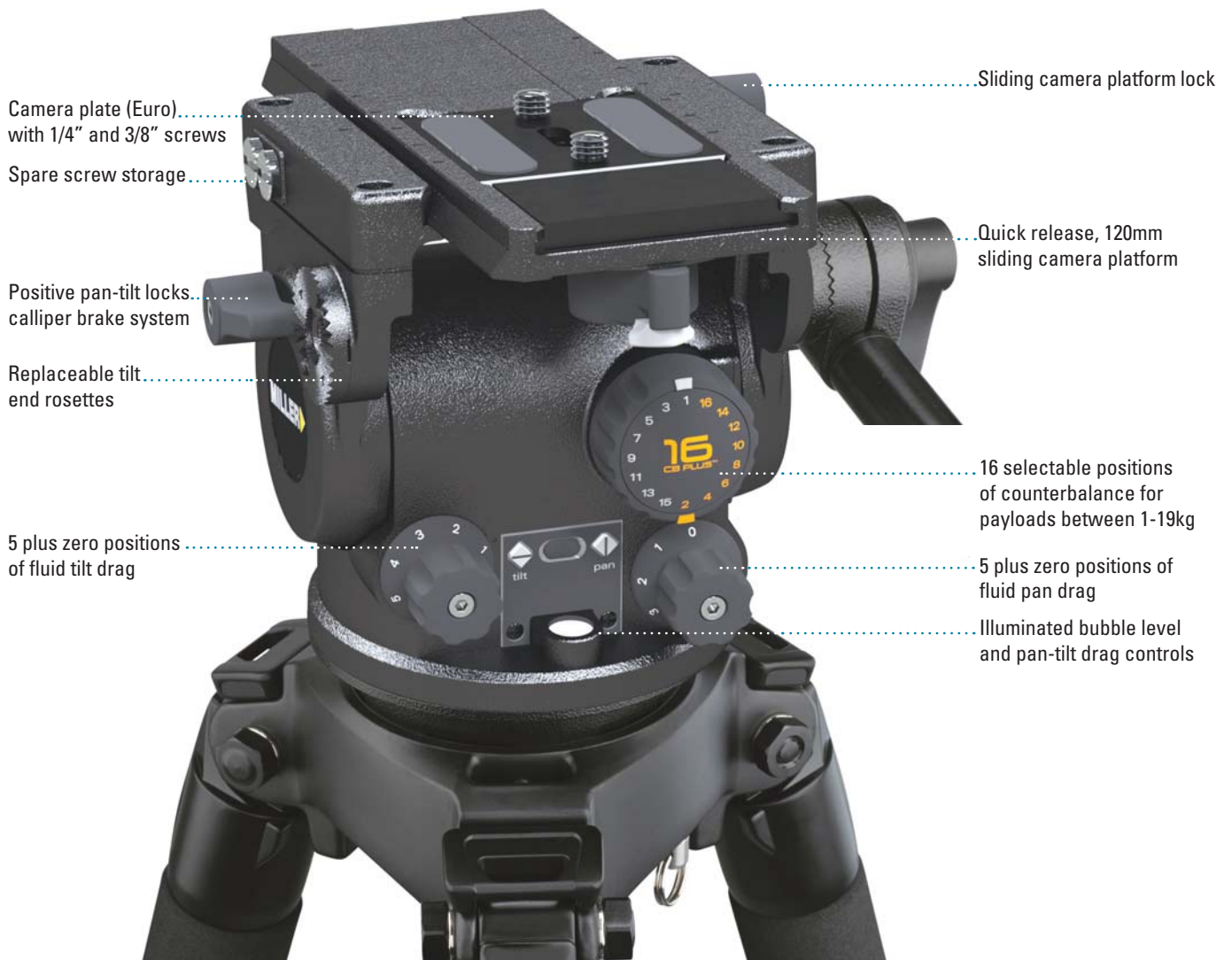
1-19kg (2.2-41.8lbs) payload range and 5 + 0 selectable pan-tilt fluid drag positions make Arrow^x 3 ideal for news gathering and documentaries, enabling it to be used with a wide range of cameras, lenses and accessories.

CB Plus™ is an innovative sequential counterbalance design, taking traditional counter balancing a step forward ahead of the rest, resulting in repeatable, accurate and rapid setup. CB Plus™ features eight larger counterbalance steps, allowing the user to get to their required counterbalance position quickly and efficiently. The CB Plus "one flick" switch conveniently located at the front of the head, adds a half step between each of the eight larger steps enabling counterbalance fine-tuning when required.

The new Arrow^x 3 comes with the reliability and "THE RIGHT FEEL" that are the hallmarks of every Miller product.

Features

- Compact, lightweight and versatile.
- 5 selectable of fluid pan and tilt drag positions +0.
- 16 position CB Plus™ counterbalance system.
- Wide payload range 1-19 kg (2.2-41.8lbs).
- Fluid drag system with smooth start and soft stop technology & balanced diagonal transitions.
- Controls "all in one location" design for fast, easy and practical use.
- Illuminated bubble level and pan-tilt drag controls.
- Precise floating pan-tilt calliper locks ensure bounce free on-off performance.
- Quick release, 120mm sliding camera platform with standard camera plate (euro).
- Removable ball level stud for flat base mounting (Sliders) with 3/8" screw hole.
- Mitchell base adaptable.
- Robust construction for rugged outdoor shooting conditions.
- Optional second pan handle mount.
- Side mounting points for view finders and accessories.
- Three-year warranty.



Camera plate (Euro) with 1/4" and 3/8" screws

Spare screw storage

Positive pan-tilt locks calliper brake system

Replaceable tilt end rosettes

5 plus zero positions of fluid tilt drag

Sliding camera platform lock

Quick release, 120mm sliding camera platform

16 selectable positions of counterbalance for payloads between 1-19kg

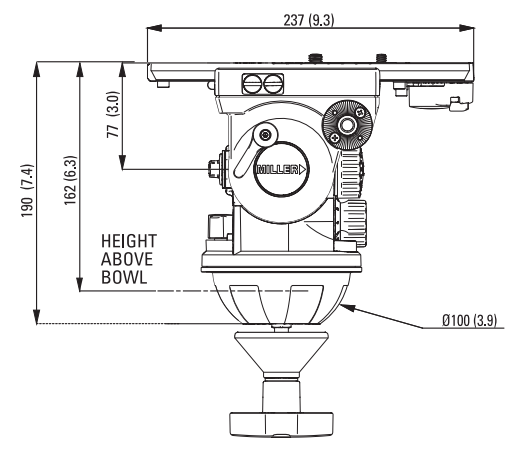
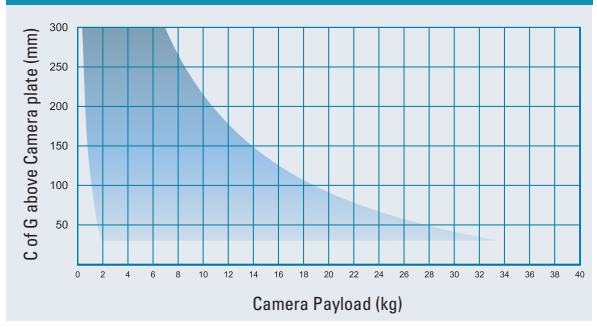
5 plus zero positions of fluid pan drag

Illuminated bubble level and pan-tilt drag controls

Specifications -1072

Weight	3.1kg (6.8lbs)
Payload range	1-19kg (2.2-41.8lbs)
Pan-tilt drag	5 selectable fluid drag positions + 0
Pan range	360°
Pan-tilt locks	Positive lock calliper brake system
Tilt angle	+90°/-75°
Counterbalance	16 selectable positions
Camera platform	Quick release camera plate with 1/4" and 3/8" screws
Sliding range	120mm (4.7")
Height above bowl	162mm (6.4")
Mounting base	100mm (3.9") ball levelling with 3 x M5 holes for flat base mounting
Illuminated controls	Bubble level, pan-tilt drag controls
Temperature range	-40° to +65°C (-40° to +149°F)
Pan handle	Telescopic 390 to 590mm (15.4 to 23.2")

Counterbalance Performance



Systems Arrow^x 3

3034

System Arrow^x 3 Sprinter II 1-stage (alloy)
with 470 On ground spreader



1-19kg
2.2-41.8lbs



7.5kg
16.7lbs



797-1587mm
31.4-62.5"



1002mm
39.4"



Components:

1072	Arrow ^x 3 fluid head
1589G	Sprinter II 1-stage tripod (alloy)
470	On ground spreader
696	Pan handle - telescopic with clamp
870	Arrow softcase 1-stage

3035

System Arrow^x 3 Sprinter II 1-stage (alloy)
with 993 Mid level spreader + 475 feet



1-19kg
2.2-41.8lbs



7.9kg
17.6lbs



832-1592mm
32.8-62.8"



1002mm
39.4"



Components:

1072	Arrow ^x 3 fluid head
1589	Sprinter II 1-stage tripod (alloy)
993	Mid level spreader
475	Rubber feet (set of 3)
696	Pan handle - telescopic with clamp
870	Arrow softcase 1-stage

3038

System Arrow^x 3 Sprinter II 2-stage (alloy)
with 470 On ground spreader



1-19kg
2.2-41.8lbs



8.1kg
18.0lbs



602-1692mm
23.7-66.6"



862mm
33.9"



Components:

1072	Arrow ^x 3 fluid head
1580G	Sprinter II 2-stage tripod (alloy)
470	On ground spreader
696	Pan handle - telescopic with clamp
872	Arrow softcase 2-stage

3039

System Arrow^x 3 Sprinter II 2-stage (alloy)
with 993 Mid level spreader + 475 feet



1-19kg
2.2-41.8lbs



8.5kg
18.9lbs



602-1692mm
23.7-66.6"



862mm
33.9"



Components:

1072	Arrow ^x 3 fluid head
1580	Sprinter II 2-stage tripod (alloy)
993	Mid level spreader
475	Rubber feet (set of 3)
696	Pan handle - telescopic with clamp
872	Arrow softcase 2-stage

*System weights do not include the weight of the bag

3043
System Arrow^x 3 Sprinter II 2-stage (carbon fibre)
 with 993 Mid level spreader + 475 feet



1-19kg
 2.2-41.8lbs



7.9kg
 17.6lbs



602-1692mm
 23.7-66.6"



862mm
 33.9"



Components:

1072	Arrow ^x 3 fluid head
1576	Sprinter II 2-stage tripod (carbon fibre)
993	Mid level spreader
475	Rubber feet (set of 3)
696	Pan handle - telescopic with clamp
872	Arrow softcase 2-stage

3068
System Arrow^x 3 Solo 100-3 (carbon fibre)



1-19kg
 2.2-41.8lbs



6.8kg
 15.1lbs



382-2032mm
 15-80"



820mm
 32.3"



Components:

1072	Arrow ^x 3 fluid head
1505	Solo 100 3-stage tripod (carbon fibre)
696	Pan handle - telescopic with clamp
1520	Solo shoulder strap (Aircell)
872	Arrow softcase 2-stage

Arrow^x 3 System Comparison Chart

CAT	Components:	3034	3035	3038	3039	3043	3068
1072	Arrow ^x 3 fluid head	•	•	•	•	•	•
860	Camera plate (Euro) with 1/4" & 3/8" screws	•	•	•	•	•	•
696	Pan handle - telescopic with clamp	•	•	•	•	•	•
1589	Sprinter II 1-stage tripod (alloy)		•				
1589G	Sprinter II 1-stage tripod (alloy)	•					
1580	Sprinter II 2-stage tripod (alloy)				•		
1580G	Sprinter II 2-stage tripod (alloy)			•			
1576	Sprinter II 2-stage tripod (carbon fibre)					•	
1505	Solo 100 3-stage tripod (carbon fibre)						•
470	On ground spreader	•		•			
993	Mid level spreader		•		•	•	
475	Rubber feet (set of 3)		•		•	•	
1520	Solo shoulder strap (Aircell)						•
870	Arrow softcase 1-stage	•	•				
872	Arrow softcase 2-stage			•	•	•	•

Accessories:

858	Offset camera plate with 2 x 3/8" screws
860	Camera plate (Euro) with 1/4" & 3/8" screws
696	Pan handle - telescopic with clamp
1219	Accessory mounting bracket
1217	Accessory adaptor 1/4", 3/8" holes to suit 1219
1225	Mitchel base adaptor with clamp