



ARRILITE 750 Plus  
ARRILITE 2000 Plus



# ARRILITE Plus lighting kits

---



ARRILITE lampheads are also available in a variety of lighting kits.  
For detailed information please contact your local dealer or visit  
the ARRI website.



## ARRIMAX reflector

The new ARRILITE fixtures utilize the same reflector and optical system as the ARRIMAX 18/12, the designers of which won a Scientific and Engineering Award from the Academy of Motion Picture Arts and Sciences in 2010. This innovative system features adjustable beam control, resulting in a highly efficient and controllable light source.

## 4-leaf barndoor and scrims – ARRILITE 750 Plus

The reduced diameter of the new ARRILITE 750 Plus enables usage of the 4-leaf barndoor and scrims designed for the ARRI 650 Plus, which is therefore ideally partnered with the ARRILITE 750 Plus in a kit, as they share the same accessories.

## Accessory holder – ARRILITE 750 Plus

The new ARRILITE 750 Plus accessory holder provides a stable mount for scrims and the barndoor, while also incorporating fittings that permit the Chimera Video PRO Plus S to be fitted directly, without an additional speedring.



## Housing

### ARRILITE 750 Plus

- Compact design makes it smaller and lighter than the previous ARRILITE 800
- Rugged aluminium housing enables heat dissipation

## No tools required for changing bulbs

### ARRILITE 750 Plus

The housing consists of two parts, which are connected by a bayonet cap. In order to change the bulb, the rear part is easily disconnected without any need for tools. To open the light, the user pushes the release slide on the handle and turns the whole rear part to the left. In order to close the light again, the user closes the two housing parts together so that the position marks are aligned and then turns the rear part to the right until the bayonet cap locks.



## Light output – ARRILITE 750 Plus

The combination of the ARRIMAX reflector and a 750 W HPL\* bulb results in a 21% increase in light efficiency, as compared to the previous 800 W ARRILITE lamphead. Although listed as 750 W fixture, the ARRILITE 750 Plus can also be fitted with lower wattage bulbs, ranging from 375 W to 800 W.

\*HPL lamp invented by and licensed from David Cunningham

## One-arm stirrup – ARRILITE 750 Plus

An innovative one-arm stirrup sets the ARRILITE 750 Plus apart from competing lights and enables many different pan-and-tilt options. Sturdy and compact, it reduces the overall size of the lamphead for easy packing and transportation.



## Disc brake

The stirrup brake on the ARRILITE 750 Plus and 2000 Plus implements the same disc brake technology as ARRI's True Blue range of lampheads, holding the fixtures steady even with heavy accessories attached.



### ARRILITE 2000 Plus

- Improved focus, housing stability, stirrup brake and overall functionality
- Rugged aluminium housing enables heat dissipation
- 400 g lighter and far more compact than the previous ARRILITE 2000

### ARRILITE 2000 Plus

In order to change the bulb, the safety mesh frame at the front of the light must be opened; it opens in a similar way to the ARRI M18 and AS18 fixtures. No screws have to be removed and no tools of any kind need be used; changing the bulb in this way is fast and simple.

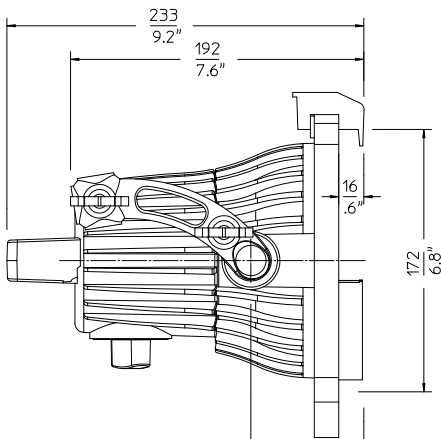
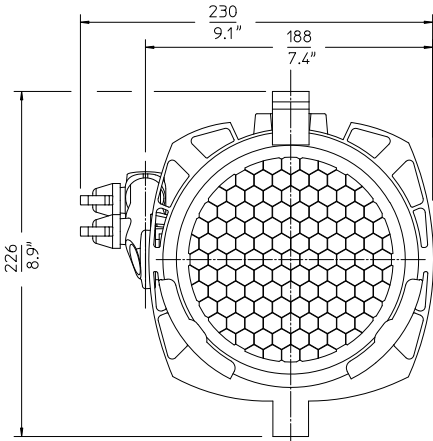


## Handle

At the rear of the housing is a large, heat-proof handle that facilitates easy maneuvering of the light.



# 750 W ARRILITE Plus



Order No.	Description
L3.36700.B	ARRILITE 750 Plus, bare ends, incl. 4-leaf barndoor and accessory holder
L3.36700.D	ARRILITE 750 Plus, Schuko plug, incl. 4-leaf barndoor and accessory holder

## Accessories

L2.79470.0	4-leaf barndoor, black, 168 mm
L2.36780.0	Accessory holder
L2.79460.0	ARRI Scrim Set, full double, half double, full single, half single, 168 mm / 6 5/8"
L2.79460.A	ARRI Scrim full single, 168 mm / 6 5/8"
L2.79460.B	ARRI Scrim, full double, 168 mm / 6 5/8"
L2.79460.C	ARRI Scrim, half single, 168 mm / 6 5/8"
L2.79460.D	ARRI Scrim, half double, 168 mm / 6 5/8"
L2.76966.0	Tungsten to daylight dichroic glass filter
L2.70844.0	Chimera Lightbank Video Pro Plus S 24"x32" (600 x 800 mm), depth: 18" (450 mm) incl. front screens 8125

## Lamps

230 V	
HPL* 750 W	GKV** 600 W
HPL* 575 W	FKR** 650 W
HPL* 375 W	HX** 800 W
*HPL lamp invented by and licensed from David Cunningham ** in combination with lamp cooling adapter L2.36770.0	

## Specifications

Weight	1.6 kg (3.55 lb)
Cable length	3 m with inline switch
Lamp base	G 9.5
Reflector	ARRIMAX Reflector
Packed Size	260 x 220 x 300 mm (10.24 x 8.66 x 11.81")
Mounting	16 mm mount
Protection Class	IP20
Certification	NRTL-US-C, CE, TÜV GS, CB

## Photometric Data with HPL\* 750 W - 230 V lamp

Throw (m)	3	5	10
Spot: 21°	57.1 kcd		
Output (lux)	6347	2289	571
Diameter (m)	1.1	1.9	3.7
Medium: 50°	16.2 kcd		
Output (lux)	1798	647	162
Diameter (m)	2.8	4.7	9.3
Flood: 73°	93 kcd		
Output (lux)	1033	372	93
Diameter (m)	4.5	7.4	14.8

1000 lux gives correct exposure for 200ASA film with aperture T4 at 24fps

Order No.	Description
L3.36500.B	ARRILITE 2000 Plus, bare ends, incl. 4-leaf barndoor
L3.36500.D	ARRILITE 2000 Plus, Schuko plug, incl. 4-leaf barndoor

### Accessories

L2.76522.0	4-leaf barndoor, black, 235 mm
L2.76950.0	ARRI Scrim Set, full double, half double, full single, half single, 254 mm / 10"
L2.76950.A	ARRI Scrim full single, 254 mm / 10"
L2.76950.B	ARRI Scrim full double, 254 mm / 10"
L2.76950.C	ARRI Scrim, half single, 254 mm / 10"
L2.76950.D	ARRI Scrim, half double, 254 mm / 10"
L2.89061.0	Chimera Speedring Circular 10" (255 mm) for Quartz Daylite Lightbanks 9225
L2.89054.0	Chimera Lightbank Quartz Plus S 24"x32" (600 x 800 mm), depth: 22" (550 mm) incl. 3 front screens 8425

### Lamps

230 V
FEX 2000 W

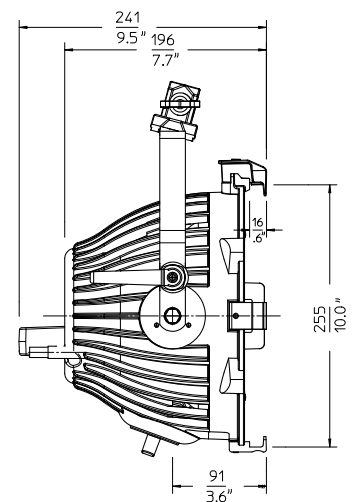
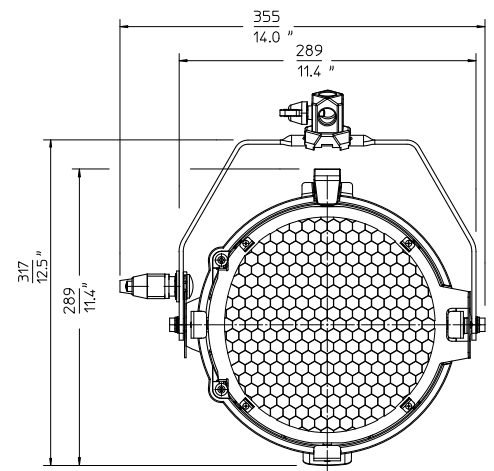
### Specifications

Weight	3.0 kg (6.61 lb)
Cable	3 m with inline switch
Lamp Base	RX7s
Reflector	ARRIMAX Reflector
Packed Size	375 x 345 x 320 mm (14.75 x 13.58 x 12.6")
Mounting	16 mm mount
Protection Class	IP20
Certification	NRTL-US-C, CE, TÜV GS, CB

### Photometric Data with FEX 2000 W - 230 V lamp

Throw (m):	5	10	15
Spot: 24°	110 kcd		
Output (lux)	4400	1100	489
Diameter (m)	2.2	4.3	6.5
Medium: 50°	31 kcd		
Output (lux)	1250	313	139
Diameter (m)	4.7	9.3	14
Flood: 63°	24 kcd		
Output (lux)	940	235	104
Diameter (m)	6	12	18

1000 lux gives correct exposure for 200ASA film with aperture T4 at 24fps



#### **EMEA (Europe, Middle East, Africa)**

ARRI Lighting Solutions GmbH (Sales & Service)  
Ernst-Augustin Str. 12, D-12489 Berlin  
Tel: + 49 (0)30 678233 0, Fax: +49 (0)30 678233 99

#### **Italy**

ARRI Italia S.r.l. (Sales & Service, Milan)  
Viale Edison 318, 20099 Sesto San Giovanni (Milano), Italy  
Tel: +39 (02)262 271 75, Fax: +39 (02)242 1692

ARRI Italia S.r.l. (Sales & Service, Rome)  
Via Placanica 97, 00040 Morena (Roma), Italy  
Tel: +39 (06)79 89 021, Fax: +39 (06)79 89 02 206

#### **USA**

ARRI Inc. (Sales & Service, East Coast)  
617 Route 303, Blauvelt, NY 10913-1109, USA  
Tel: +1 (845)353 1400, Fax: +1 (845)425 1250

ARRI Inc. (Sales & Service, West Coast)  
600 North Victory Blvd., Burbank, CA 91502-1639, USA  
Tel: +1 (818)841 7070, Fax: +1 (818)848 4028

#### **Canada**

ARRI Canada Limited (Sales & Service)  
415 Horner Ave. Unit 11 & 12, Toronto, Ontario M8W 4W3, Canada  
Tel: +1 (416)255 3335, Fax: +1 (416)255 3399

#### **Asia**

ARRI Asia Limited  
3B, 29/F, The Centrium, 60 Wyndham Street, Central, Hong Kong  
Tel: +852 2571 6288, Fax: +852 2875 9181

#### **Australia**

ARRI Australia PTY Limited  
Unit 6C, 5 Talavera Road, Macquarie Park NSW 2113, Sydney, Australia  
Tel: +61 (2)9855 4308, Fax: +61 (2)9855 4301