

Tripod for light weight video cameras

⚠ WARNING

TH-650HD

Before operating this equipment, please read this manual carefully and retain this for future reference. Please read carefully and retain this instruction

This equipment may cause harmful, if not installed and used in accordance with this manual.

● Please follow this instruction for your safety reason.

Attention to users

⚠ CAUTION This equipment may cause harm, if not installed and used in accordance with following instructions.

- Keep the maximum load capacity. Excess load capacity may cause damage to equipments and unexpected incident.
- Firmly tighten the lock lever and screw. Without tightening lock and screw may cause damage to the camera or harmful to users.
- Make sure that tripod is firmly positioned when camera is mounting. This equipment would cause harmful or damage to camera, if the tripod is not properly installed or used in accordance with this manual.
- Do not dismantle or remold which cause breakdown of this equipment or harmful to users.

Caution for users

- Camera must be removed during transportation.
- Holding only pan handle for carriage is causing damage to tripod.
- When tilting or panning, it is important to loose the locking knob completely.

Set up the tripod

1. Set free the transport lock. Pull up the strap from tripod section and set free the transport lock.
2. Set the tripod position as you like. It is recommendable setting as follows.
 - ① Loosen the upper lock lever, as the tripod is holling.
 - ② Adjust the length of three each of tripod, tighten the upper lock knob again.
 - ③ If required further extension, set free the lower lock knob and do the same way.

※Spikes are attached which could be removed by pulling out.
3. Unfold the tripod and set the brace horizontal completely.
4. Adjust the pan handle position.
 - ① Loosen the pan handle lock knob.
 - ② Adjust the position.
 - ③ Firmly tighten the pan handle lock knob.

Mount the camera

- The maximum load capacity is 3kg. Do not exceed the load capacity.
- The quick shoe plate slides 50 mm back and forth from center for fine adjustment.

⚠ Attention When remove or mount the camera, firmly tighten the tilt lock knob. Do not add extra accessories after camera mounted which cause collapsing the tripod.

1. Remove the quick shoe plate.
 - ① Loosen the shoe plate lock lever.
 - ② Pull up the shoe plate.
2. Mount the camera. Set the camera screw to camera and firmly tighten.
3. Set camera to tripod.
 - ① Fix the camera on to the quick shoe plate and set it back to the head which is automatically locked.
 - ② For safety reason, firmly tighten the shoe plate lock lever.
4. Adjust the head leveling.
 - ① Loosen the ball leveler fixing handle.
 - ② Adjust the head for leveling.
 - ③ Firmly tighten the ball leveler fixing handle.

Pan and Tilt

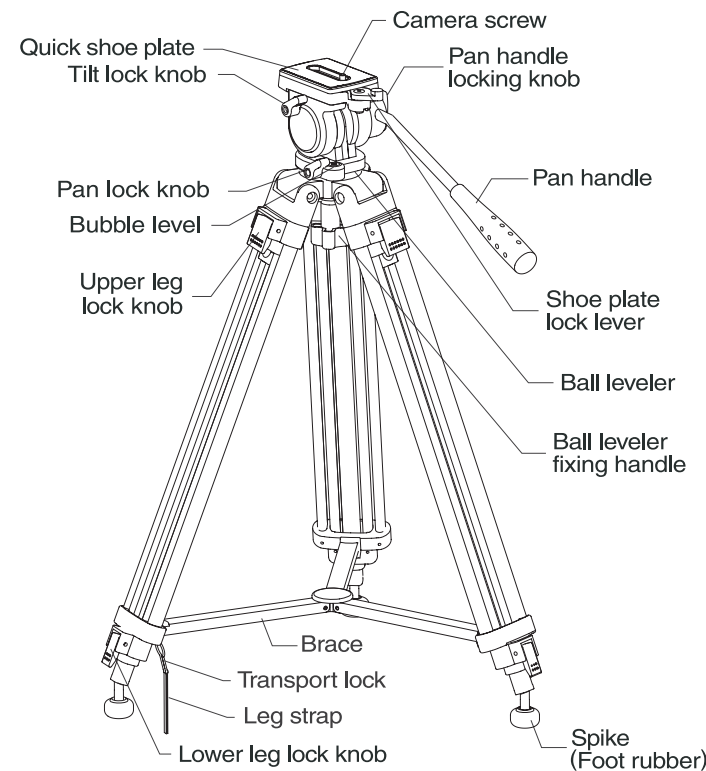
- Panning
Set free the pan lock knob and move left and right for movement. If need lock, firmly tighten the lock knob.
- Tilting
Set free the tilt lock knob and move up and down for movement. If need lock, firmly tighten the lock knob.

⚠ Attention Do not use the half locking status for balancing.

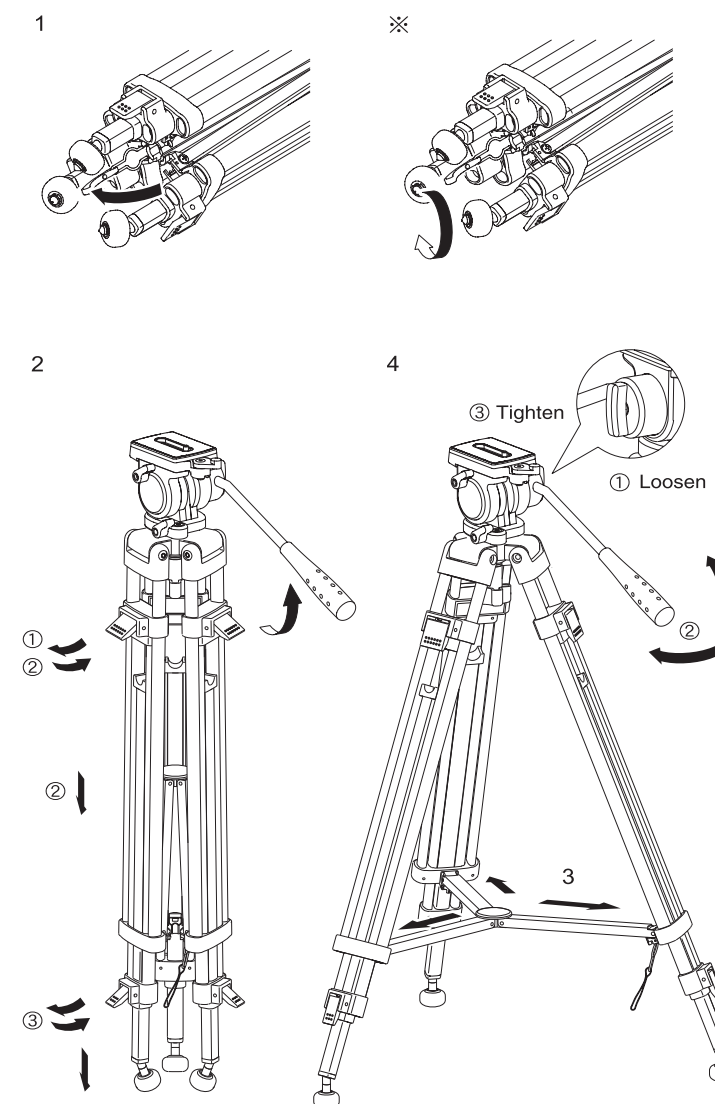
Folding the tripod

- Remove the camera and fold the tripod. Make sure that pan lock knob is completely free.
 - Firmly fix the transport lock when folding three legs.
- ⚠ Warning** Camera must be removed during transportation.

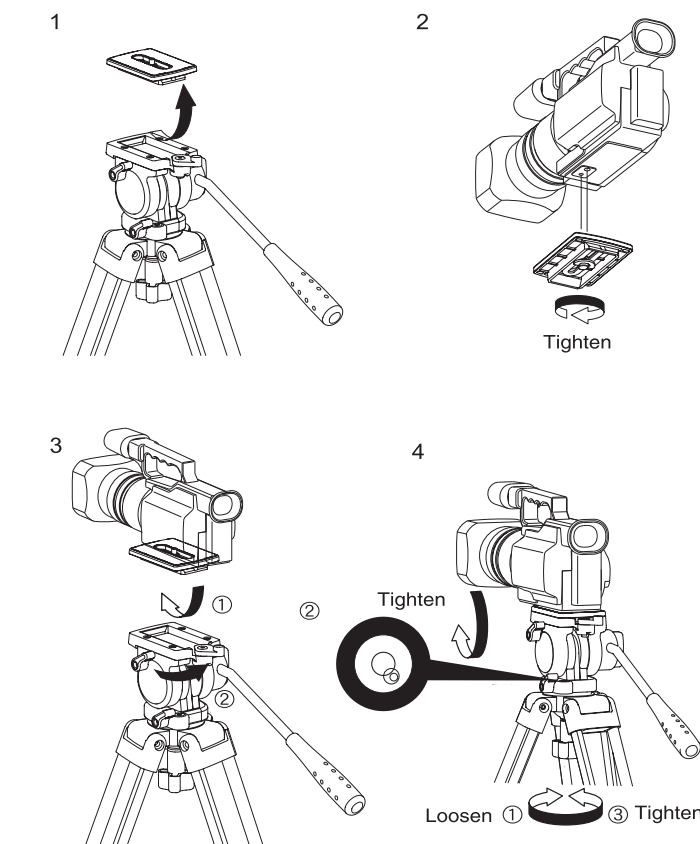
Description of head



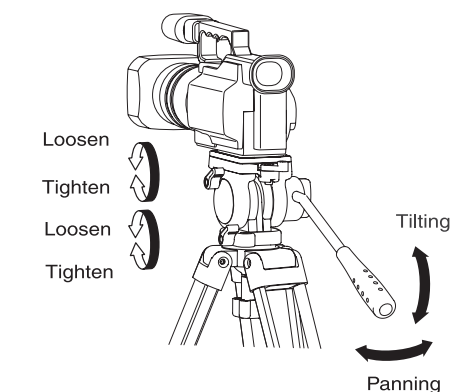
Set up the tripod



Mount the camera



Pan and Tilt



Folding the tripod

