

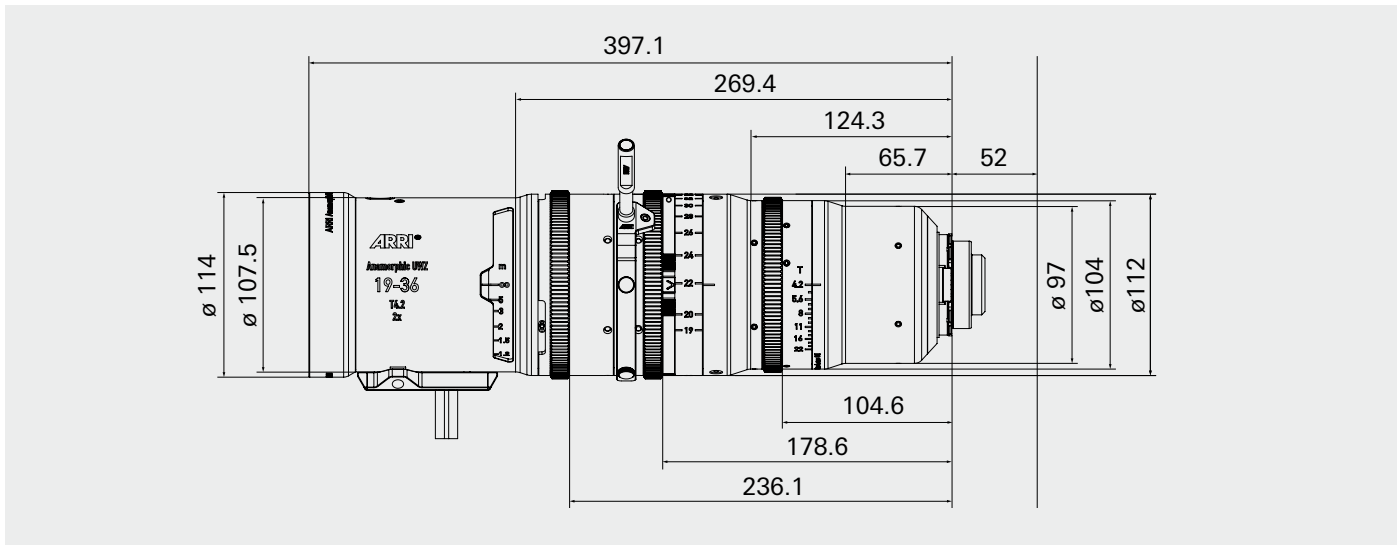
ANAMORPHIC ULTRA WIDE ZOOM 19-36/T4.2



Main Features

- Very low distortion, even at 19 mm
- Exceptional corner-to-corner image performance
- Virtually no image breathing
- Uniform field illumination
- Extreme close focus up to the front lens element
- Fixed entrance pupil position over the entire zoom range
- LDS lens metadata for on-set tasks and VFX in post
- Complements the Master Anamorphic lenses
- Unique anamorphic flares

Anamorphic Ultra Wide Zoom 19-36/T4.2



Camera	Sensor size (mm)	Image circle (mm)	Focal length 19 mm	Focal length 24 mm	Focal length 28 mm	Focal length 32 mm	Focal length 36 mm
Super 35 Cinemascope	22.5 x 18.7	29.26	V= 100.8° H= 52.0°	V= 87.4° H= 42.2°	V= 78.5° H= 36.6°	V= 71.1° H= 32.3°	V= 64.9° H= 28.9°
Entrance pupil position <small>(from image plane)</small>			414.9 mm/ 16.33"	414.4 mm/ 16.31"	413.9 mm/ 16.30"	413.2 mm/ 16.27"	412.5 mm/ 16.24"

Lens Mount ⁽¹⁾	PL LDS
Aperture	T4.2 - T22
Close Focus ⁽²⁾	0.6 m / 2 ft
Magnification Ratio ⁽³⁾	1:10.2 (H) / 1:5.1 (V) @ f=36 mm
Length ⁽⁴⁾	397.1 mm / 15.634"
Length (including flange focal distance) ⁽⁵⁾	449.1 mm / 17.681"
Front Diameter ⁽⁶⁾	114 mm / 4.488"
Max. Diameter (excluding front and gear)	112 mm / 4.409"
Weight (kg)	5.5 kg / 12.1 lbs
180° optical image rotation	yes

ARRI Lenses Technical Legend

- ⁽¹⁾ **Lens Mount**
Positive locking (PL) 54 mm stainless steel lens mount with Lens Data System (LDS) contacts.
- ⁽²⁾ **Close Focus**
Close focus is measured from the film/sensor plane.
- ⁽³⁾ **Magnification Ratio**
Magnification Ratio is the relationship of the size of an object on the film/sensor plane (first number) to the size of that object in real life (second number) at the close focus setting; horizontal (H) and vertical (V).
- ⁽⁴⁾ **Length**
Length is measured from the lens mount to the front of the lens housing.
- ⁽⁵⁾ **Length (including flange focal distance)**
Length is measured from the image to the front of the lens housing.
- ⁽⁶⁾ **Front Diameter**
Diameter of the lens/matte box interface.

All data subject to change without notice.