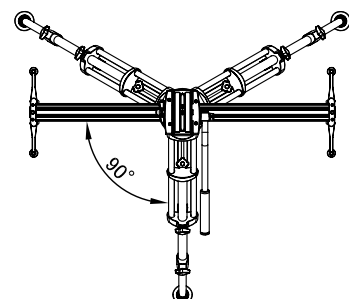
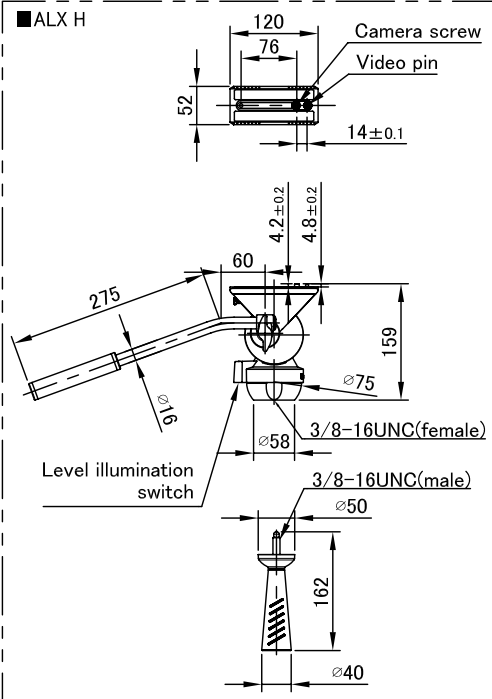


System	ALX H (Head) + ALX T (Tripod) + RC-20 (Carrying case) + ALX S8 (Slider) + ALX S8 Case		
Payload	4 kg / 9.0 lb	Tilt angle	+90° / -80°
Weight	5.8kg / 12.8 lb	Pan angle	360°
Height	① H : 1720 mm W : 855 mm (※Reference)(※1)	Counterbalance	FIX
	② H : 820 mm W : 635 mm (")(※1)		---
Folded length	③ L : 895 mm (")	Drag mode	FIX
Camera plate (Sliding range)	Sliding plate	Head base	Ball $\varnothing 75$ mm / Flat base with 3/8" female thread
	± 40 mm / ± 1.6 "	Section	2 STAGE
Plate attachment (Screw sliding range)	1/4-20UNC screw with video pin	Tripod fixation	Fixing lock knob
Spare screw	76 mm / 3"	Spreader	Mid-level spreader (Telescopic) *Unremovable
	3/8-16UNC screw	Pan handle	Unique pan handle (Non-telescopic)
	Equipped on the top of the head (beneath sliding plate)	Case material	Nylon, Polyester, TPE, PE, PP, POM, EPE

Remarks

ALX S8 Payload : For table top 15 kg / 33.0 lb

■ Exterior Dimensions (mm)



※Reference

