

CONVERT

# KUMO

Compact SDI Routers



**KUMO 1604**

**KUMO 1616**

**KUMO CP**

Because it matters.

**AJA**<sup>®</sup>  
VIDEO SYSTEMS

# KUMO

## Compact SDI Routers

NEW

1616

Rear Panel



1604

Rear Panel



KUMO compact SDI routers are small and cost-effective, yet robust and reliable. KUMO supports full broadcast specifications over SDI, HD-SDI, and 3G SDI. KUMO routers are a perfect fit for any broadcast, production, or post production environment. Running Embedded Linux, KUMO routers are network ready and support powerful HTTP control and monitoring. KUMO's internal webserver allows immediate installation, configuration, and operation with standard web browsers - without any additional software to buy or install. An optional 1RU networkable control panel (KUMO CP) can be used in stand-alone or networked configurations.

KUMO SDI routers are available in two configurations: the KUMO 1604 supporting sixteen SDI inputs and four outputs, and the KUMO 1616 supporting sixteen channels in and out. Because of their compact 1RU size, KUMO SDI routers are ideal for space-sensitive applications such as mobile sports trucks, edit suites, corporate video installations, or live theatrical A/V rigs. KUMO compact SDI routers offer AJA-reliability, flexibility and state-of-the-art signal quality, while delivering it for an unprecedented price.



Optional KUMO Remote Control Panel (KUMO CP)

### Remote Web Interface

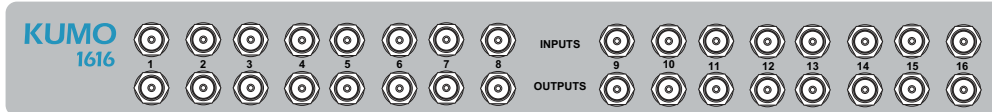


— Tabbed screens make navigation a snap

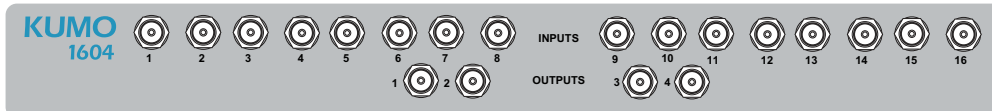
— Source Selection

— Destination Selection

## Connections



**3G/HD/SD-SDI Inputs and Outputs**  
• All inputs and outputs, 3G, HD-SDI, or SD-SDI (SMPTE 259M/292M/424M)



**Reference Video with Loop-Through**  
• The Reference Input synchronizes the Router switching point per SMPTE specifications.  
• The Reference Input supports Blackburst for SD and Tri-Level sync for HD.



**LAN Connection**  
• RJ45 10/100/1000 LAN connector—internal webserver, Bonjour support



**RS422**  
• RS422 remote control via 9-pin DB9 connector



**Redundant Power Supply Inputs**  
• Two independent 12Vdc inputs provide safe operation. Power status can be checked from a LAN attached browser

## Simple Installation and Configuration—and Easily Scalable

Installation of KUMO Compact routers is easy: with Bonjour, network configuration is automatic—just connect KUMO to your network or a computer. Alternatively, standard network configuration is also easy—just connect KUMO to your network, or a computer, and access KUMO via its default IP address.

Once connected to KUMO using a web browser, you can configure the full TCP/IP settings, select and name KUMO routers, name sources and destinations, and perform all operational functions.

For a stand-alone configuration of a KUMO router with a KUMO CP control panel, just connect the two KUMO components together with a standard RJ45 cable; no web browser or computer is needed.



KUMO and the Optional KUMO CP Both Support Bonjour

## Features

- SD, HD, 3G SDI inputs and outputs via BNC, SMPTE 259M/292M/424M
- Automatic EQ and re-clocking
- Supports all ancillary data, including embedded audio
- Reference via BNC, passive loop, PAL/NTSC color black or HD tri-sync
- 10/100/1000 Ethernet LAN
- Auto-detect Bonjour™/Zeroconf protocol provides ease of installation
- Embedded Linux OS with internal webserver for web browser control
- Control from HTTP or Remote Control Panel (KUMO CP is optional)
- 1RU form factor
- Redundant power inputs (isolated)
- 1 power supply and line cord supplied
- Optional power supply available
- AJA 5-year international warranty

## Specifications

### Formats:

- 3Gb, 1.5Gb, 270Mb, ASI, Auto Select

### Video Inputs and Outputs:

- SDI (SMPTE 259/292/296/424), BNC

### Cable Equalization (BNC inputs, 1694 coax):

- 270Mb: 400m
- 1.5Gb: 200m
- 3Gb: 140m

### Input/Output Return Loss (BNC):

- >15db, 270Mb – 1.5Gb
- >10db, 1.5Gb – 3Gb

### Reference Input:

- Analog input, passive looping BNCs
- Format: NTSC, PAL, Tri-level sync

### Control:

- 10/100/1000 Ethernet, RJ-45, internal Linux OS/web server
- RS-422 (future enhancement)

### Environment:

- Operating Temperature: 0 to 40 Degrees C
- Relative Humidity: 0 to 90%, non-condensing

### Power:

- +12 VDC nominal, 9-18VDC range, optional redundant power
- KUMO 1604: 9 watts
- KUMO 1616: 20 watts
- KUMO CP: 5 watts

### Size:

- KUMO 1604, 1616: 19" width x 1.75" height, x 1.5" depth (483 x 44.5 x 38.1 mm)
- KUMO RCP: 19" width x 1.75" height, x 1.3" depth (483 x 44.5 x 33 mm)

### Weight:

- KUMO 1616: 1.4 lb (.64 kg)
- KUMO 1604: 1.2 lb (.55 kg)
- KUMO CP: 1.2 lb (.55 kg)

# KUMO

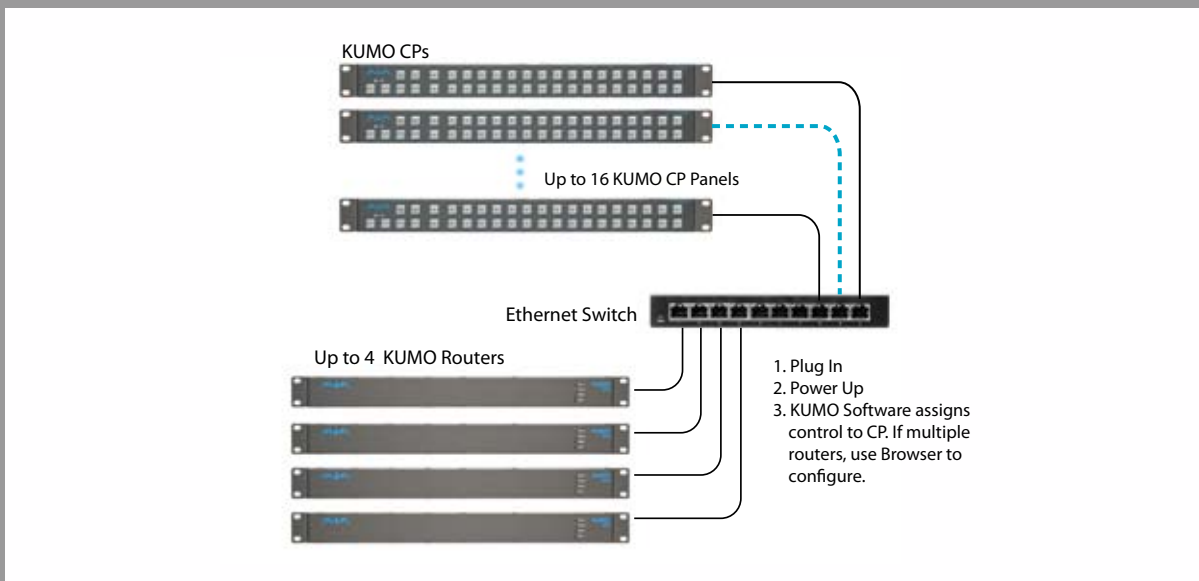
## Compact SDI Routers

### Configuration Options

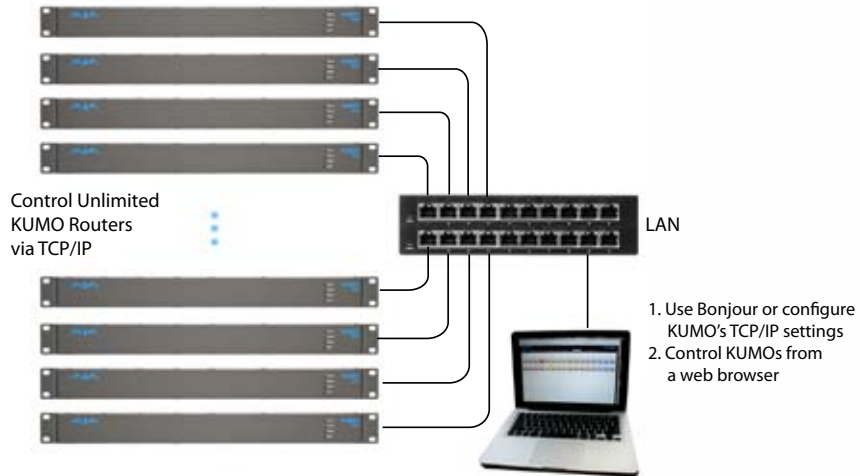
KUMO compact SDI routers not only offer innovative architectures, they excel at providing configuration and control flexibility. Because all KUMO products are networkable, they are easy to set up in a networked environment or in stand-alone configurations. For control you can use either a web browser or the optional KUMO Control Panel. One KUMO Control Panel can be connected directly to a KUMO router or to a network for configuration via Web Browser. Easily scalable, KUMO systems can always expand as your needs do. Here are just some possible control scenarios:

- Stand-alone: 1 KUMO CP Control Panel connected to a KUMO router will auto-discover each other so you're up and running quickly. Or use a computer and browser to configure multiple routers and control panels. Just plug all the pieces into an Ethernet switch, power them up and configure easily with a computer browser.
- Network - computer control only: an unlimited number of KUMOs can be configured, networked, and controlled by web browser(s) using industry standard TCP/IP networking.
- Hybrid Network – computer(s) and KUMO Control Panel(s): hybrid systems can be created where there are both KUMO Control Panels (up to 16) and computer web browsers providing router control.

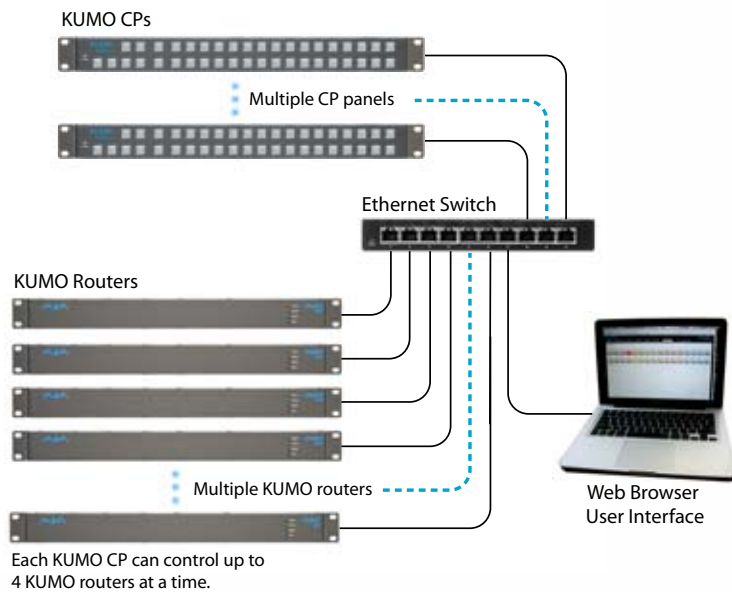
Basic KUMO stand-alone routing systems—just plug, power, and play



KUMO LAN-only System—use TCP/IP to configure routers and devices



Hybrid System—KUMOs Controlled by KUMO CPs and Web Browsers



#### **Incredible 5 Year Warranty**

All AJA Video Converters carry a 5-year warranty from the date of purchase against defects in material and workmanship. AJA Video, at its option, will repair or replace each defective product with a similar or better product. This warranty shall be limited to defects which were not caused by misuse, abuse, improper handling, tampering or attempts to repair by any unauthorized repair service. This warranty is limited solely to the above and only for the period set forth. The manufacturer will not be liable for any loss or damage incidental or consequential of any kind, whether based on warranty, contract or negligence arising in connection with the sale, use or repair of the product. The manufacturer's maximum liability shall not in any case exceed the sale price.

#### **About AJA Video Systems, Inc.**

Since 1993, AJA Video has been a leading manufacturer of video interface and conversion solutions, bringing high-quality, cost-effective digital video products to the professional broadcast and post-production markets. AJA offers the Io, KONA and XENA desktop video products, miniature stand-alone converters, and a complete line of rack mount interface and conversion cards and frames. With a headquarters and design center located in Grass Valley, California, AJA Video offers its products through an extensive sales channel of dealers and systems integrators around the world. For further information, please see our website at [www.aja.com](http://www.aja.com)

**B e c a u s e   i t   m a t t e r s .**



**AJA Video Systems Inc.**  
Grass Valley, California

[www.aja.com](http://www.aja.com) • [sales@aja.com](mailto:sales@aja.com) • [support@aja.com](mailto:support@aja.com)