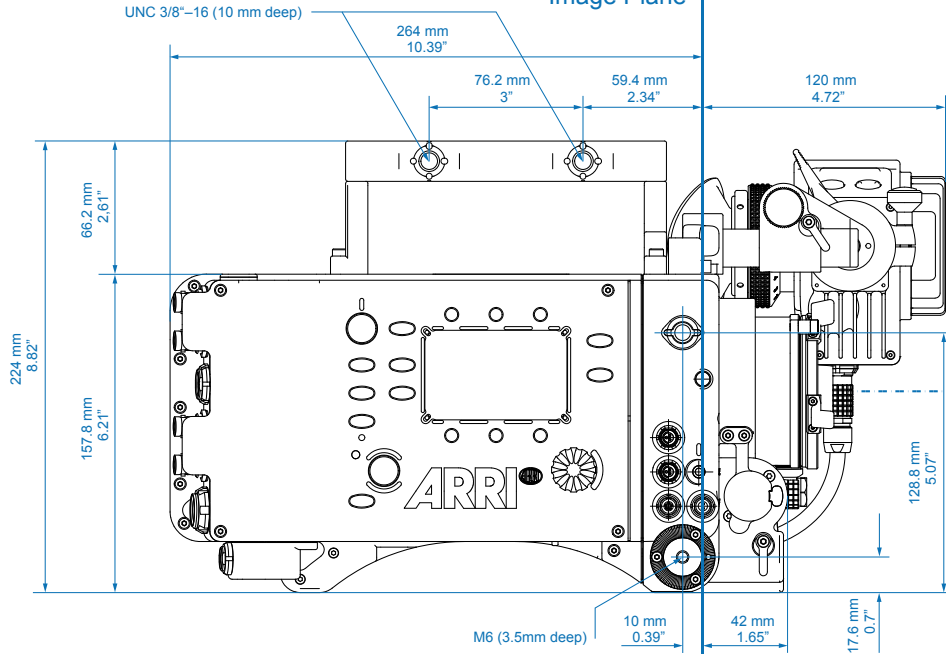


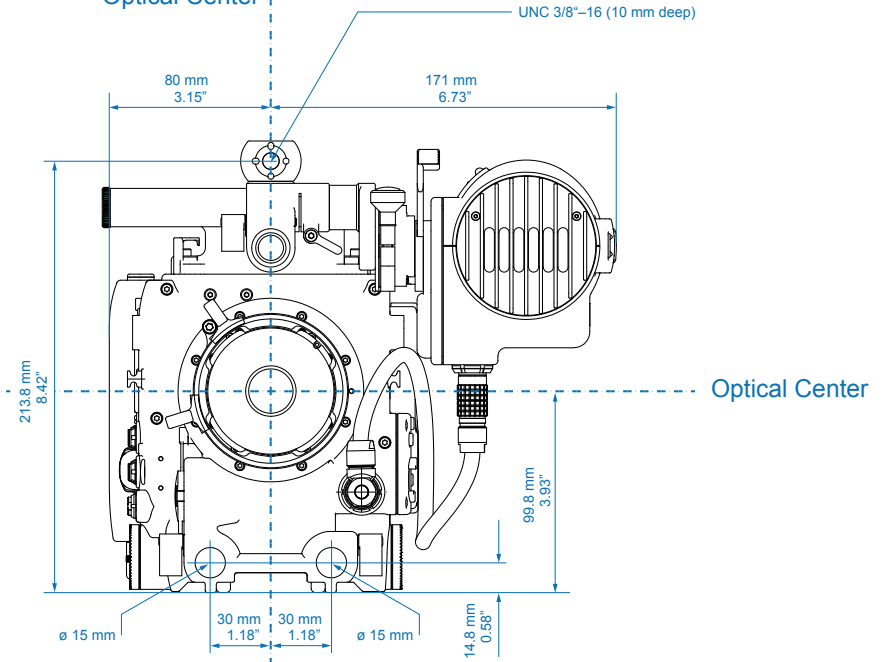
Camera Right

Image Plane



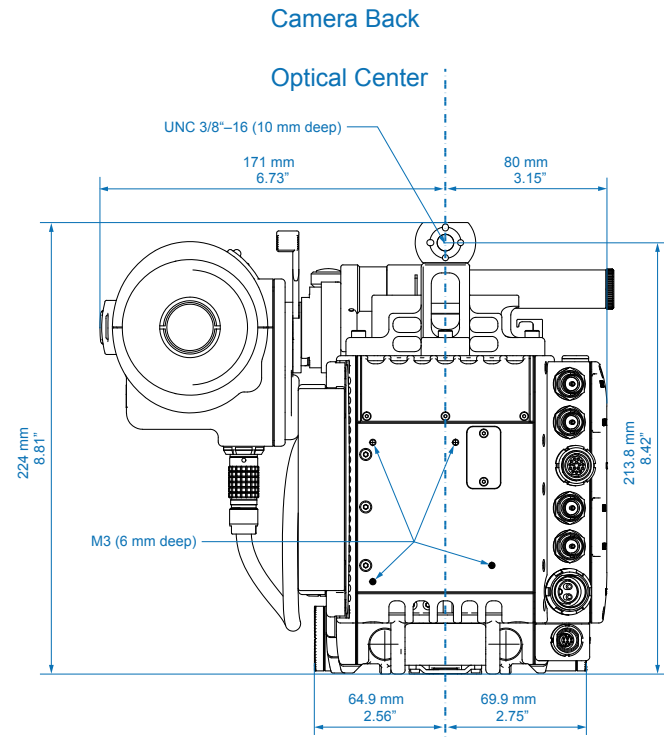
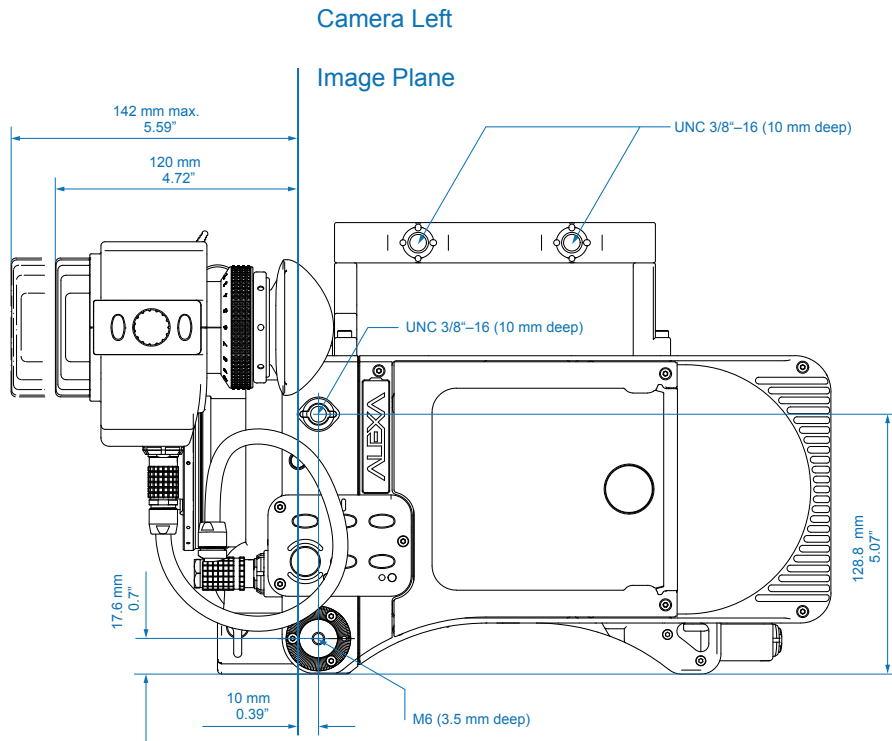
Camera Front

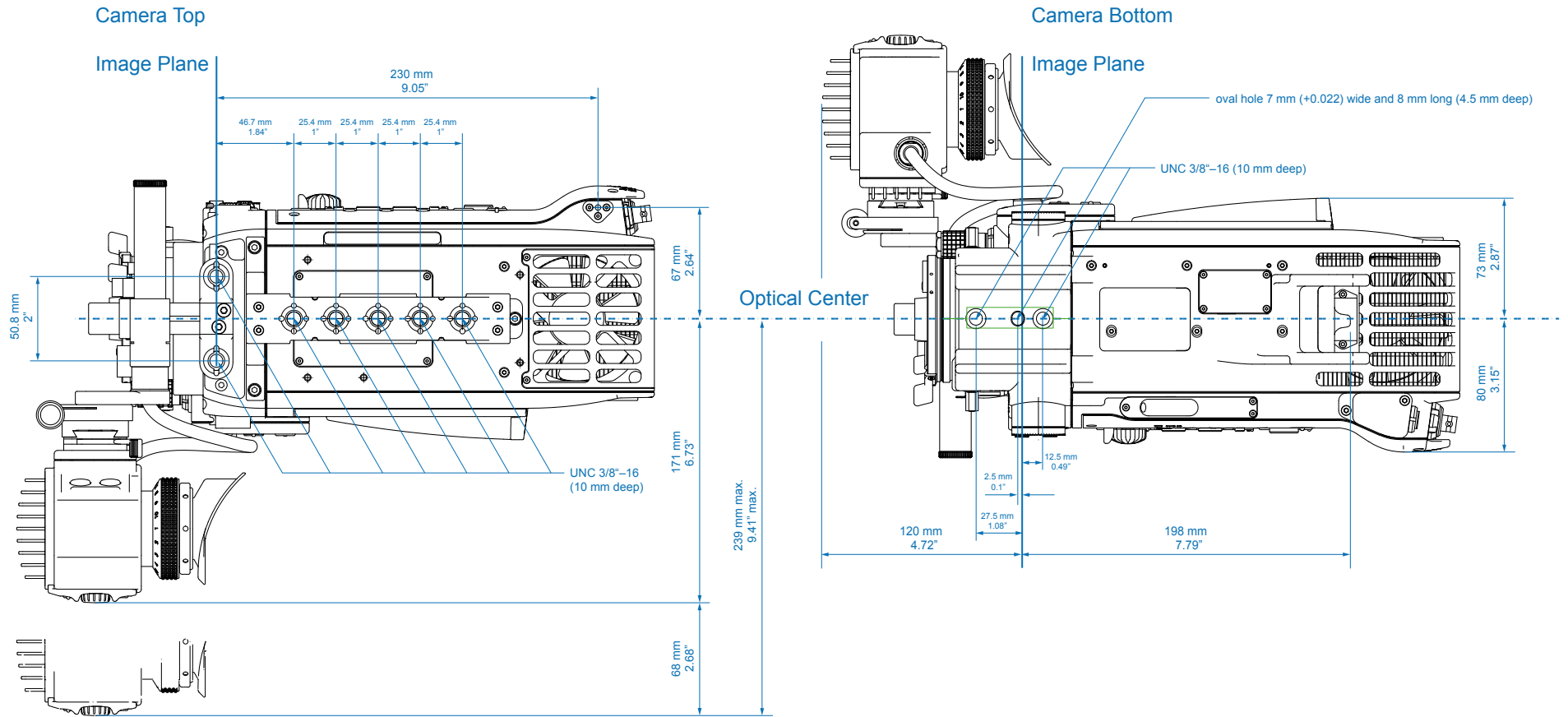
Optical Center



ALEXA

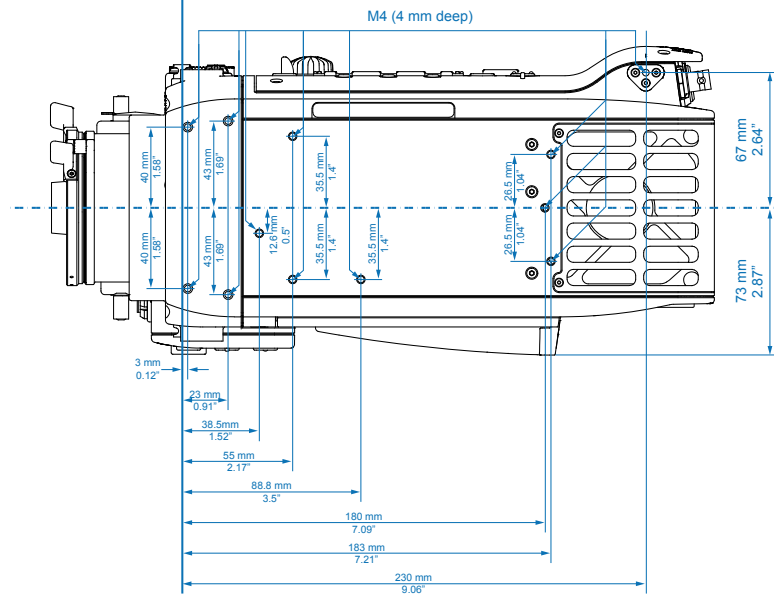
	Length	Width	Height	Weight
Body, Camera Center Handle (CCH-1)	321 mm - 12.64"	153 mm - 6.02"	224 mm - 8.82"	6.5 kg - 14.33 lbs
Body, Camera Center Handle (CCH-1), Electronic Viewfinder EVF-1, Viewfinder Mounting Bracket (VMB-1)	384 mm - 15.12"	251 mm - 9.88"	" - "	7.5 kg - 16.53 lbs
Body, Camera Center Handle (CCH-1), Electronic Viewfinder EVF-1 extended, Viewfinder Mounting Bracket (VMB-1)	406 mm - 15.98"	319 mm - 12.56"	" - "	7.5 kg - 16.53 lbs





Camera Top

Image Plane



Camera Top

Optical Center

